



MAXIMUM LIFTING CAPACITY: 40,000 lbs
EXTENDED LENGTH: 110'

**Reach New Heights with the longest boom
available in a 20 ton boom truck**

20-TON-2-MT

TM-20110 (20 ton) crane specifications

MAXIMUM LIFTING CAPACITY

40,000 lbs. @ 5' (6-part lines)

BOOM

5-sectioned, fully powered synchronized telescoping boom of pentagonal box construction

Retracted length	27.3'
Extended length	110'
Extended speed	82.7' / 73 s
Elevation	Elevated by double-acting hydraulic cylinder
Elevation speed	-5° to 80° / 23 s

NOTE: Extended speed and elevation speed are calculated under the condition that the flow is 25 GPM

Boom point 2 sheaves

WINCH

Hydraulic motor driven, planetary gear speed reduction, provided with automatic break

Single line pull	7,200 lbs. *9,700lbs (Winch capacity of permissible line pull at 1st layer)
Single line speed	280 FPM (@ 3rd layer)

NOTE: Single line speed is calculated under the condition that the flow is 57 GPM

Wire rope

Diameter x length	9/16" x 315'
Breaking strength	30,100 lbs.

Hook block

Swivel hook with safety latch for single line use
-7,200 lbs. capacity (Standard)
*Johnson Downhaul hook block weight; 162 lbs. with 7 tons capacity

SWING

Hydraulic motor driven, planetary gear speed reduction

Non-Continuous 375° rotation on ball bearing slew ring (Standard)

Swing speed 375° / 38 s

Continuous 360° full circle swing (Optional)

Swing speed 360° / 37 s

OUTRIGGERS

<CAB BACK MOUNTED>

Outriggers (Out & Down type)

Hydraulically extended sliders and hydraulically extended jacks, integral with crane frame

Extend width	Min. 7.15'
	Mid. 13.1'
	Max. 18.7'

Rear stabilizers (Out & Down type)

Hydraulically extended sliders and hydraulically extended jacks, integral with chassis frame

Extend width	Min. 7.38'
	Max. 11.48'

Single front stabilizer

Hydraulic extended jack in front of bumper for 360° lifting operations

<REAR MOUNTED>

Rear outriggers (Out & Down type)

Hydraulically extended sliders and hydraulically extended jacks, integral with crane frame

Extend width	Min. 7.15'
	Mid. 13.1'
	Max. 18.7'

Front outriggers (Out & Down type)

Hydraulically extended sliders and hydraulically extended jacks, integral with chassis frame

Extend width	Min. 7.15'
	Mid. 13.1'
	Max. 18.7'



HYDRAULIC

Hydraulic motor	For winch and swing
Control valves	Multiple control valves with integral safety valve
Hydraulic pump	3-section gear pump
	Winch system: 32GPM (3,000PSI)
	Boom and outriggers system: 25GPM (3,060PSI)
	Swing system: 6.6GPM (1,750PSI)
Reserve tank	78 Gallons capacity *PTO/Mounting not included

ELECTRICAL SYSTEM

Power supply	DC12V
--------------	-------

SAFETY DEVICE

- Anti-two block with alarm
 - Hook safety latch
 - Level gauge
 - Hydraulic safety valves, check valves and holding valves
 - Overload shutoff with load indicator (TADANO's exclusive "AMA" system)
 - Load / Boom angle indication
 - Audible warning
 - External warning lamps
-

BOOM REST

- Removable
-

TORSION BOX

<CAB BACK MOUNTED>

The weight of 22' standard torsion box is approx. 4,000 lbs.

<REAR MOUNTED>

The weight of 14' standard torsion box is approx. 3,100 lbs.

CRANE WEIGHT

Approx. 15,300 lbs. (bare)

OPTIONS AND ACCESSORIES

+Radio Remote Controls

Model: RCS-F (Approved by FCC/IC)

Control function of boom telescoping, hoisting up and down, boom elevating, swing, acceleration, speed mode selection, emergency stop, engine start and vehicle horn

Frequency 40 frequencies in 429 MHz band

Operating power supply

Transmitter 6V DC, dry battery (AA) x 4

Control unit 12V DC, vehicle battery

Transmitter weight Approx. 1.26 lbs. (includes batteries)

+Continuous 360° full circle swing

Swing speed 360° / 37 s

+Short outriggers

For low profile mounting

+40,000 lbs. capacity hook block

3 sheaves, swivel type hook with safety latch

+28,800 lbs. capacity hook block

2 sheaves, swivel type hook with safety latch

+14,400 lbs. capacity hook block

1 sheaves, swivel type hook with safety latch

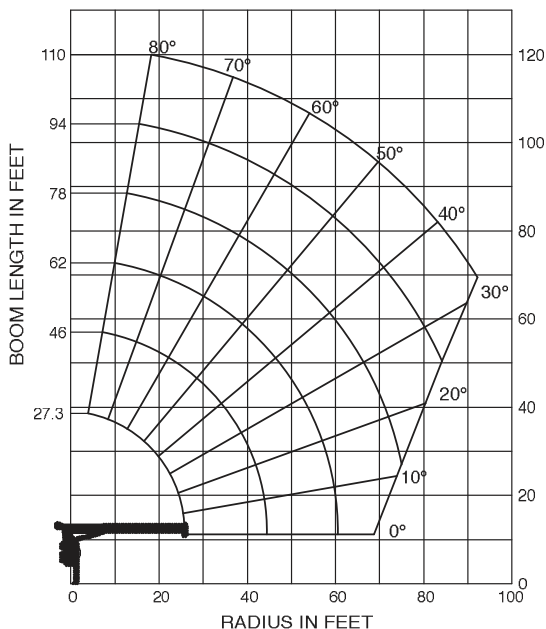
+Boom angle alarm

+Two person basket



TM-20110 (20 ton) crane capacity

WORKING RANGE



The above lifting heights and boom angles are based on a straight (unladen) boom, and allowance should be made for boom deflection obtained under laden condition.

NOTE:

- Rated lifting capacities on the below chart show maximum allowable loads with all outriggers and stabilizers (ex. rear mounted) properly extended on a firm surface and the crane leveled and mounted on a factory recommended truck.
- The rated lifting capacities with bold blue numbers are based on crane strength and others, on its stabilities (not exceeded 85% of tipping).
- The weight of handling devices such as hook block, slings, etc., must be considered part of the load and must be deducted from the rated lifting capacities.
- Weight of any accessories attached to the boom or load line must be deducted from the rated lifting capacities.
- The operator must reduce loads to allow for such factors as wind, ground conditions, operating speed and the effects of freely suspended loads such as boom deflection.
- For full capacity 360° around the truck, the chassis requires the front stabilizer (ex. rear mounted) and additional counterweight in the underside of the bed.
- When marking lifts at a load radius not shown, use next longer radius to determine allowable capacity. When boom length is between values listed, refer the rated lifting capacities next longer and next shorter booms for same radius. Lesser of the two rated lifting capacities be used.
- For boom lengths longer than 46 ft., extend outriggers to the Max. or Mid. extended.
- For boom lengths longer than 78 ft., extend outriggers to the Max. extended.
- Keep at least 3 wraps of load line on winch drum.
- 46 ft. boom means 1st marks on 2nd boom section side plate is half visible.
62 ft. boom means 2nd marks on 2nd boom section side plate is half visible.
78 ft. boom means 3rd marks on 2nd boom section side plate is half visible.
94 ft. boom means 4th marks on 2nd boom section side plate is half visible.
- Part of lines are;



No. of part lines	1	2	4	6
Max. of load	7,200 lbs.	14,400 lbs.	28,800 lbs.	40,000 lbs.

RATED LIFTING CAPACITY (IN POUNDS)

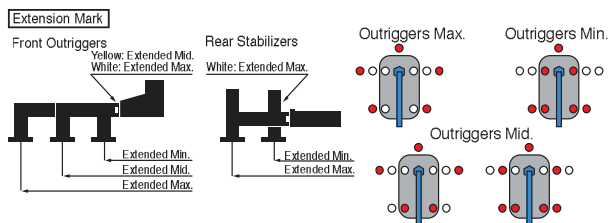
Load radius (ft.)	27.3 ft. Boom			46 ft. Boom			62 ft. Boom		78 ft. Boom		94 ft. Boom		110 ft. Boom		Load radius (ft.)	
	Loaded Boom Angle	Outriggers Extended			Loaded Boom Angle	Outriggers Extended			Loaded Boom Angle	Outriggers Extended		Loaded Boom Angle	Outriggers Extended			
		Max.	Mid.	Min.		Max.	Mid.	Min.		Max.	Mid.		Max.	Mid.		Max.
5	79°	40,000	28,000	20,000											5	
8	73°	26,000	26,000	15,000											8	
10	68°	21,800	21,800	10,150	78°	18,000	18,000	9,600							10	
12	63°	19,000	19,000	7,300	76°	18,000	18,000	7,100							12	
14	58°	16,600	16,450	5,550	73°	16,000	16,000	5,500	78°	14,400	14,400				14	
16	53°	14,600	12,550	4,350	70°	14,200	12,600	4,400	76°	13,000	12,000				16	
20	41°	11,400	8,150	2,700	65°	11,200	8,400	2,900	73°	10,400	8,000	77°	9,500	8,300	20	
25	17°	7,900	5,200	1,450	58°	8,800	5,600	1,850	68°	8,000	5,600	77°	7,550	5,650	25	
30					49°	6,800	3,950	1,100	62°	6,300	4,050	74°	5,300	5,300	30	
35					40°	5,200	2,850	500	57°	5,300	2,950	70°	5,000	5,000	35	
40					28°	4,000	2,050		51°	4,400	2,200	67°	4,300	4,300	40	
45									44°	3,600	1,600	64°	3,700	3,700	45	
50									37°	2,900	1,150	60°	3,150	3,150	50	
55									27°	2,300		56°	2,550	900	55	
60									10°	1,600		52°	2,100	600	60	
65												48°	1,800	1,800	65	
70												44°	1,450	1,450	70	
75												39°	1,150	1,200	75	
80												33°	850	900	80	
85												26°	600	650	85	
90														450	90	
	0°	5,800	4,800	1,250	0°	2,200	1,450		0°	600						
		(25.85ft.)				(44.52ft.)				(60.52ft.)						

Notice: The chart is only for reference and should not be used for operation.

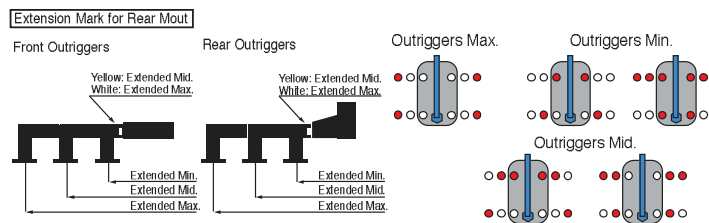
Maintain a clearances at least 10 feet between any part of the crane, load line or load and any electrical line carrying up to 50,000 volts.

One-foot additional clearance is required for every additional 30,000 volts or less.

<CAB BACK MOUNTED>



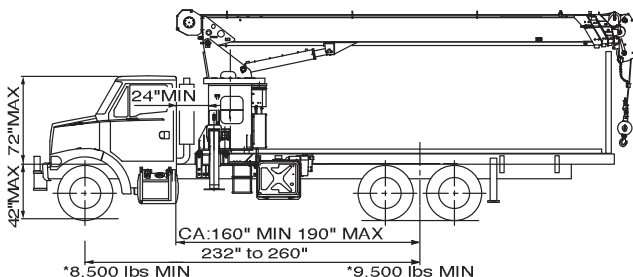
<REAR MOUNTED>





TM-20110 (20 ton) crane configurations

<CAB BACK MOUNTED>



Gross Axle Weight Rating(GAWR), front	approx. 16,000 lbs.
Gross Axle Weight Rating(GAWR), rear	approx. 34,000 lbs.
Gross Vehicle Weight Rating	approx. 50,000 lbs.
Wheelbase(WB)	232" to 260"
Cab to axle(CA)	160" to 190"
Stability weight, front	* 8,500 lbs. Min.
Stability weight, rear	* 9,500 lbs. Min.
Frame Section Module(SM) under crane, 110,000PSI steel	20 in ³ Min. per rail
Frame Section Module(SM) at the front stabilizer attachment point, 110,000PSI steel	2 in ³ Min. per rail
Frame Section Module(SM) over rear stabilizers, 110,000PSI steel	13 in ³ Min. per rail
PTO torque	approx. 290 ft-lbs Min.
PTO revolution	approx. 550 to 2,400 rpm
Width for crane mounting	approx. 4' 7" Min.
Frame width(outside)	approx. 3' Max.
Frame height(ground to frame top)	approx. 3' 6" Max.

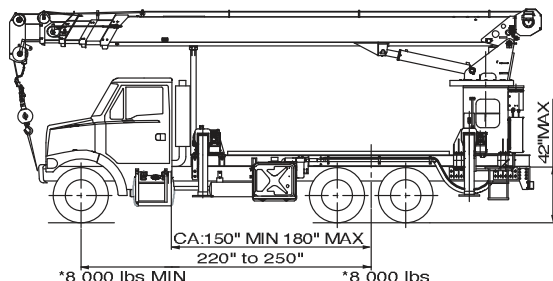
* Estimated axle scale weights prior to installation of crane, stabilizers and torsion box for 85% stability. Include counterweight.

This mount requires front stabilizer, rear stabilizers, torsion resisting box and additional counterweight in the underside of the bed for full capacity 360° around the truck.

You must select a torsion box according to the length of the flatbed and have it installed. The weight of standard torsion box for 22' flat bed: approx. 4,000 lbs. The complete unit must be installed in accordance with factory requirements and a test performed to determine actual stability and counterweight requirements for variety of trucks.

CAB BACK MOUNTED product cannot convert to REAR MOUNTED configuration.

<REAR MOUNTED>



Gross Axle Weight Rating(GAWR), front	approx. 14,000 lbs.
Gross Axle Weight Rating(GAWR), rear	approx. 34,000 lbs.
Gross Vehicle Weight Rating	approx. 48,000 lbs.
Wheelbase(WB)	220" to 250"
Cab to axle(CA)	150" to 180"
Stability weight, front	* 8,000 lbs. Min.
Stability weight, rear	* 8,000 lbs. Min.
Frame Section Module(SM) under crane, 110,000PSI steel	20 in ³ Min. per rail
Frame Section Module(SM) over rear outriggers, 110,000PSI steel	20 in ³ Min. per rail
PTO torque	approx. 290 ft-lbs Min.
PTO revolution	approx. 550 to 2,400 rpm
Width for crane mounting	approx. 4' 7" Min.
Frame width(outside)	approx. 3' Max.
Frame height(ground to frame top)	approx. 3' 6" Max.

* Estimated axle scale weights prior to installation of crane, stabilizers and torsion box for 85% stability. Include counterweight.

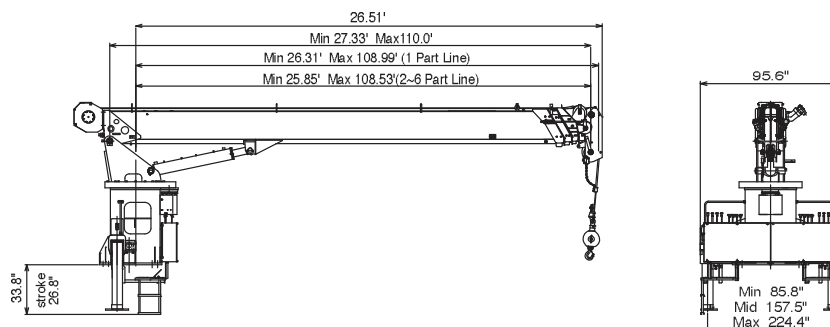
This mount requires front outriggers, torsion resisting box and additional counterweight in the underside of the bed for full capacity 360° around the truck.

You must select a torsion box according to the length of the flatbed and have it installed. The weight of standard torsion box for 14' flat bed: approx. 3,100 lbs.

The complete unit must be installed in accordance with factory requirements and a test performed to determine actual stability and counterweight requirements for variety of trucks.

REAR MOUNTED configuration cannot convert to CAB BACK MOUNTED configuration.

TM-20110 (20 ton) crane dimensional specifications



Introducing the TADANO TM-20110, the TADANO Straight Truck Mount is available in behind the cab as well as rear mounts. TADANO has over 50 years of experience in manufacturing high quality cranes featuring innovative ideas and leading edge technology. The TM-20110 answers a real need for a true Boom Truck in North America. This is the crane that everyone has been looking for and we have delivered a crane packed with great features and superior performance.

With its long reach and high lift, we believe the TM-20110 is one of our most desirable cranes. TADANO builds a vast range of cranes from 0.5 ton to 600 tons. No matter what your reach or lift requirements are, TADANO can provide you with a great solution. Put one to work for you now. Call today or visit our web site for more information.

Features:

Exceptional Reach without a Jib: 110 ft. Full Power Boom

Self-Aligning Pentagonal Shaped Boom: reducing maintenance cost

Light Weight: increases payload

Out & Down Mainframe Outriggers: complete level ability

Multiple Outrigger Span: easy to set up in various job sites

Faster Function Speeds: increase productivity

Superior Winch Performance: up to 280 FPM increase productivity

Shear Plate Mounting: more secure "no creep mount"

Large Hydraulic Reservoir: superior cooling capabilities

Operator Friendly: dual control stations with exceptional job site viewing

Complete Load Monitoring: TADANO's exclusive "AMA" system



Highest Quality Boom Trucks on the Planet



TADANO AMERICA CORPORATION

333 NORTH PARK CENTRAL DRIVE, SUITE Z,
HOUSTON, TEXAS 77073 U.S.A.

PHONE: (281) 869-0030

FAX: (281) 869-0040

E-mail: sales@tadano-cranes.com

<http://www.tadanoamerica.com>

TM20110-2006-12-1

