

! For reference only. Operators manual should be consulted and adhered to.

LIFTING CHARTS - Carry Decks

BRODERSON MODEL IC-200-2C - 15 TON CAPACITY

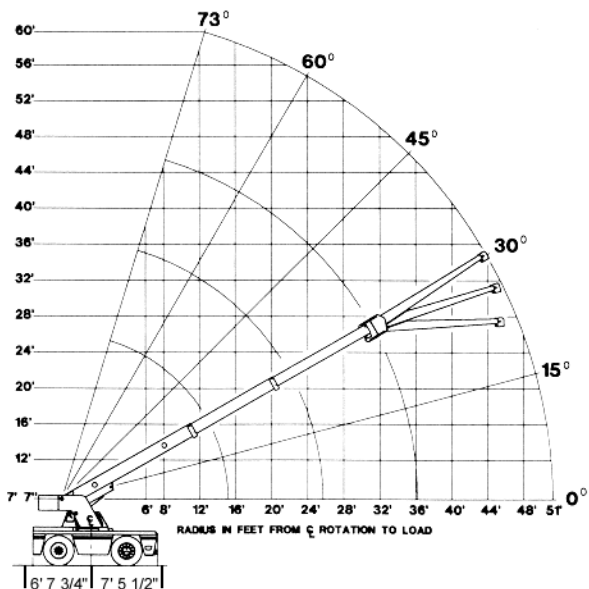
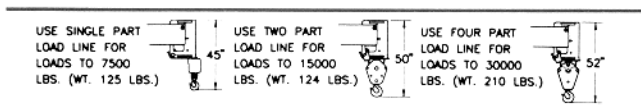
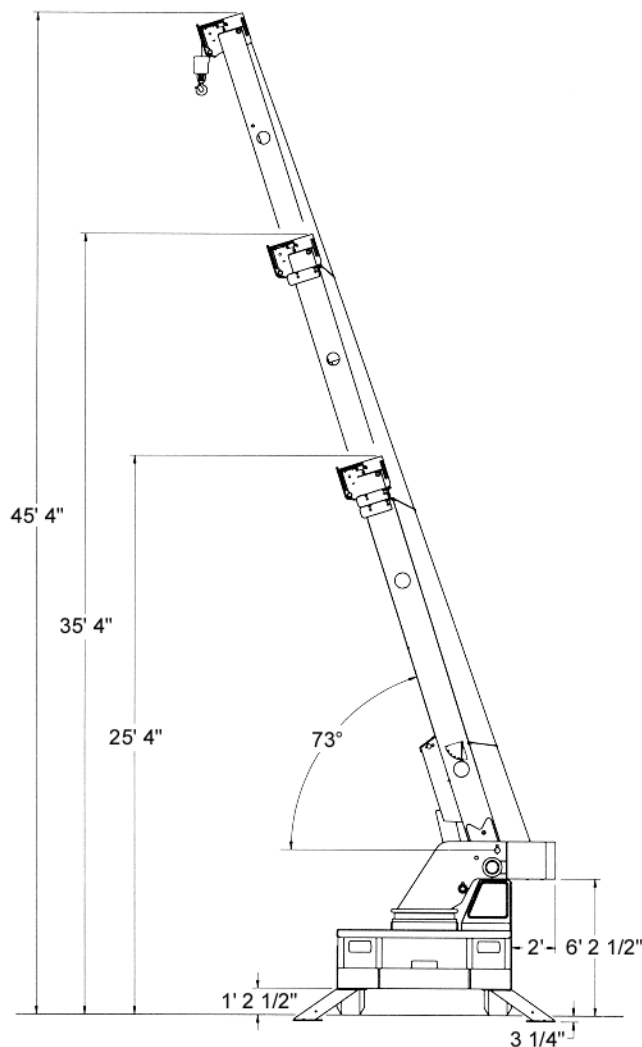
CAPACITIES APPLY TO OPERATION ON FIRM LEVEL SURFACE							
LOAD RADIUS FEET	MAIN BOOM OR EXTENSION CAPACITIES IN POUNDS						
	360 DEGREE ROTATION		OVER FRONT				
	ON RUBBER	ON OUTRIGGERS	ON RUBBER	ON OUTRIGGERS			
M A I N B O O M	6	16200	30000	16200	30000		
	8	13200	24000	13200	24000		
	10	11000	19800	11000	19800		
	12	8100	16100	8250	16100		
	14	6250	13500	7100	13500		
	16	5000	11200	6000	11200		
	18	4100	10000	4950	10000		
	20	3400	8800	4100	8800		
	22	2850	7700	3450	7800		
	24	2400	6600	2900	6900		
	26	2100	5750	2500	6200		
	28	1850	5150	2200	5700		
30	1650	4650	1950	5300			
32	1450	4200	1700	4900			
36	1150	3400	1400	4200			
15' B O O M E X T	40	900	3050	1200	3600		
	44	650	2600	950	3100		
	48	450	2200	750	2700		
	51	250	1900	600	2400		
B O O M E X T	15 - FOOT BOOM EXTENSION - STRAIGHT OR OFFSET						
	MAIN BOOM ANGLE						
ANGLE	0°	15°	30°	40°	50°	60°	70°
0°	---	3100	3450	3900	4650	6000	7500
15°	---	3000	3100	3300	3650	4250	5200
30°	---	---	3000	3050	3200	3450	3900

* Use 0° for straight boom extension.

Boom extension loads must not exceed main boom capacity.

Capacities below bold line are limited by tipping. Other capacities are limited by structural or hydraulic capacity.

Boom extension deduct: 400 pounds when stowed on base boom; 800 pounds in work position with load on the main boom.



Boom Hoist

Turret mounted planetary gear hoist hydraulically powered with a bare drum line pull of 10,000 lbs. at a line speed of 110 FPM. Includes downhaul weight, swivel hook and sheave block for 4-part line and 225 ft. of 1/2" hoist rope.

