



**AC 500-2**

600 USt capacity class

All Terrain Crane

Datasheet

imperial

# AC 500-2

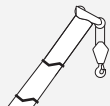





**WORKS FOR YOU.™**









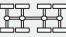








# CONTENTS

# AC 500-2

	Page:
<b>Dimensions</b> .....	5
<b>Specifications</b> .....	8
<b>Counterweight</b> .....	9
<b>Equipment</b> .....	10
<b>Overview of standard load charts</b> .....	14
 <b>HA / HA-ZA / HA-SA</b> Main boom .....	16, 17 19
<b>HA-SSL</b> Main boom with SSL .....	18, 20
 <b>HAV</b> Folding swing-away jib .....	21, 22
<b>HAV-SSL</b> Folding swing-away jib with SSL .....	23-26
 <b>LF</b> Light fixed jib .....	27, 28 30, 32
<b>LF-SSL</b> Light fixed jib with SSL .....	29, 31
 <b>WIHI</b> Luffing fly jib .....	33-38 40, 42 44, 46
<b>WIHI-SSL</b> Luffing fly jib with SSL .....	39, 41 43, 45 47
<b>Technical description</b> .....	48

# KEY

# AC 500-2

	Counterweight
	Lifting capacities on outriggers 360°
	Radius
	Main boom
	Swing-away jib
	Max. axle loads
	Mechanism
	Tires
	Hook block
	Hoist
	Sideways Superlift
	Travel speed
	Gradeability – road
	Gradeability – off road
	Slewing

	Boom telescoping
	Boom elevation
	Workings speeds
	Max. line pull
	Rope diameter
	Rope length
	Hook block (capacity-sheaves-rope diameter)
	Number of lines
	Possible load of hook block
	Weight of hook block
	Distance head sheave axle – hook ground
	Number of sheaves in boom head
	Front outrigger
	Rear outrigger
	Additional central outriggers



# HIGHLIGHTS

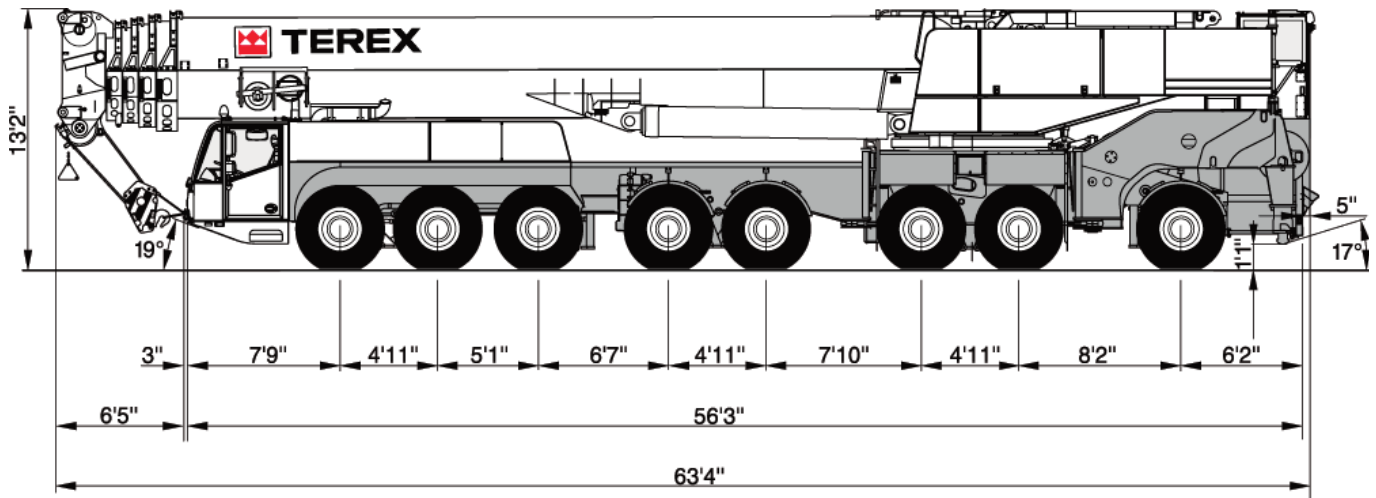
## AC 500-2

- ▶ Highest lifting capacities on 8 axles
- ▶ SSL-Technology (Sideways Superlift) available for additional increase in lifting capacity
- ▶ With a 183.7 ft telescopic boom this crane disposes of the longest system length in the 600 USt capacity class that can travel at 26,500 lb axle load
- ▶ Maximum system length 478.3 ft
- ▶ Clearly the shortest vehicle length of all 600 USt capacity class cranes
- ▶ High stiffness and minimum deformation thanks to the star-type outriggers
- ▶ State-of-the-art, powerful drive technology provides high performance and cost-efficient operation, on the road as well as on the site
- ▶ Fast crane set-up and optimized transport logistics for the accessories



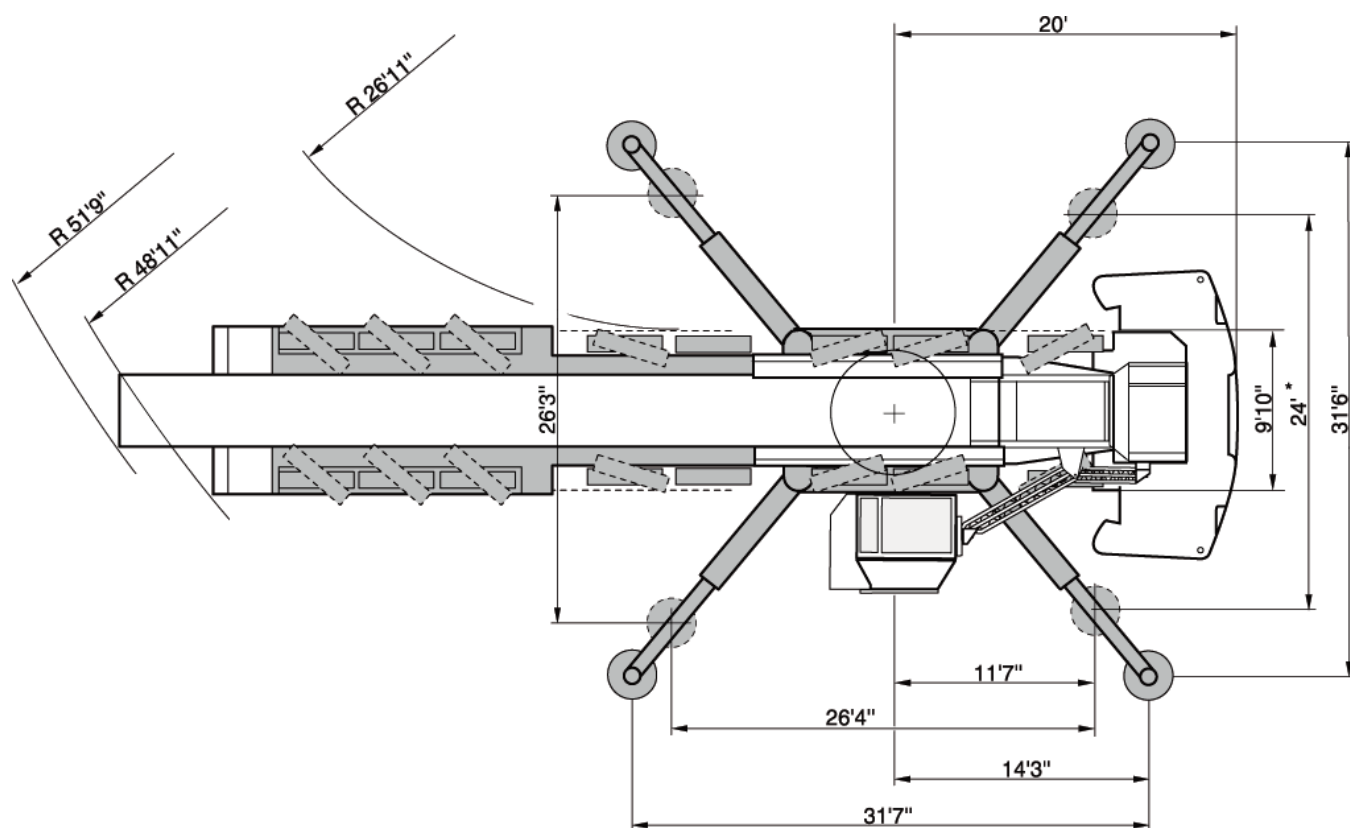
# DIMENSIONS

## AC 500-2



# DIMENSIONS

# AC 500-2



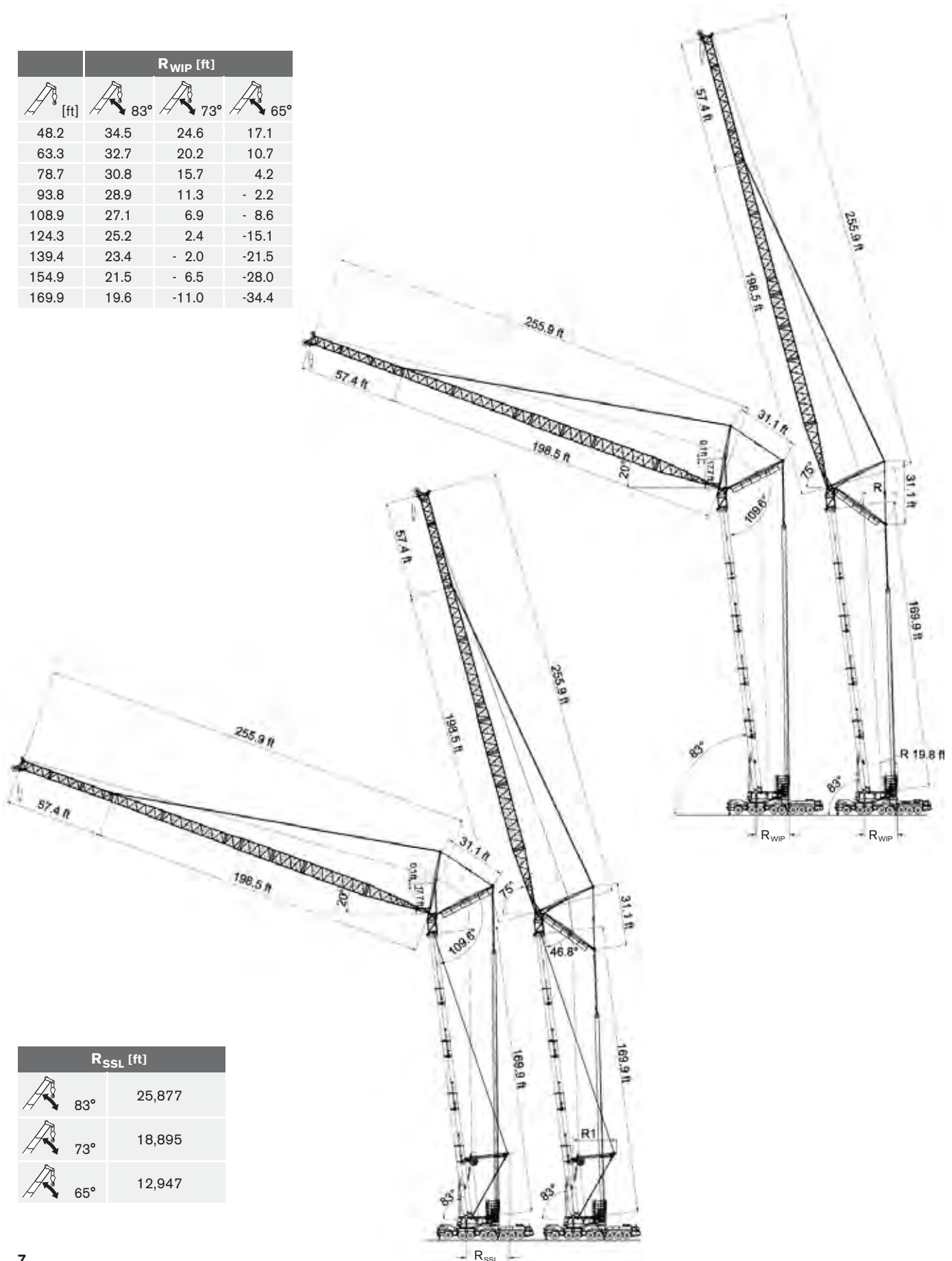
\* Loads with reduced outrigger base on request



# DIMENSIONS

## AC 500-2


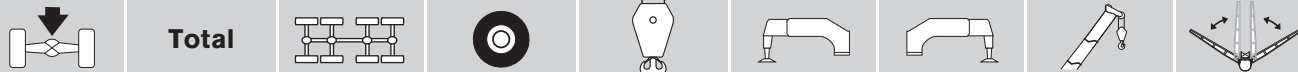
	R <sub>WIP</sub> [ft]		
[ft]	83°	73°	65°
48.2	34.5	24.6	17.1
63.3	32.7	20.2	10.7
78.7	30.8	15.7	4.2
93.8	28.9	11.3	- 2.2
108.9	27.1	6.9	- 8.6
124.3	25.2	2.4	-15.1
139.4	23.4	- 2.0	-21.5
154.9	21.5	- 6.5	-28.0
169.9	19.6	-11.0	-34.4

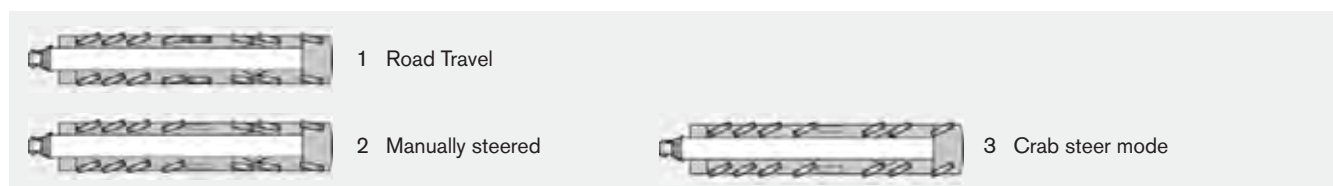


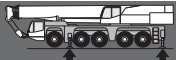


	R <sub>SSL</sub> [ft]	
83°	25,877	
73°	18,895	
65°	12,947	

# SPECIFICATIONS



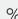
## AC 500-2






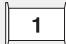




								
	Total							
< 18,700 lb	149,600 lb	16 x 8 x 14	385/95R25	-	-	-	-	-
< 25,300 lb	202,400 lb	16 x 8 x 14	385/95R25	-	-	-	X	-
< 26,500 lb	212,000 lb	16 x 8 x 14	385/95R25	40-1-24	-	X	X	-
< 28,600 lb	228,800 lb	16 x 8 x 14	385/95R25	100-3-24	X	X	X	-
< 32,000 lb	256,000 lb	16 x 8 x 14	385/95R25	100-3-24	-	X	X	X
< 34,000 lb	272,000 lb	16 x 8 x 14	385/95R25	100-3-24	X	X	X	X

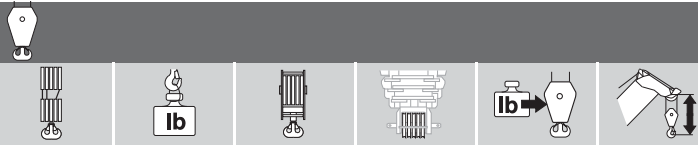


			
	395,000 lb	434,300 lb	
	21.7 in	21.7 in	46.6 mph <sup>1)</sup>

<sup>1)</sup> Depending on tire type, size and country specific legislation

	
	385/95 R25 14.00 R25
	445/80 R25 17.50 R25
	41 %
	41 %

				
				
	380 ft/min	28,200 lb	0.94 in	1969 ft
	466 ft/min	28,200 lb	0.94 in	2362 ft
	0,9 rpm			
	420 s (48.2-183.7 ft)			
	85 s (0°-83°)			

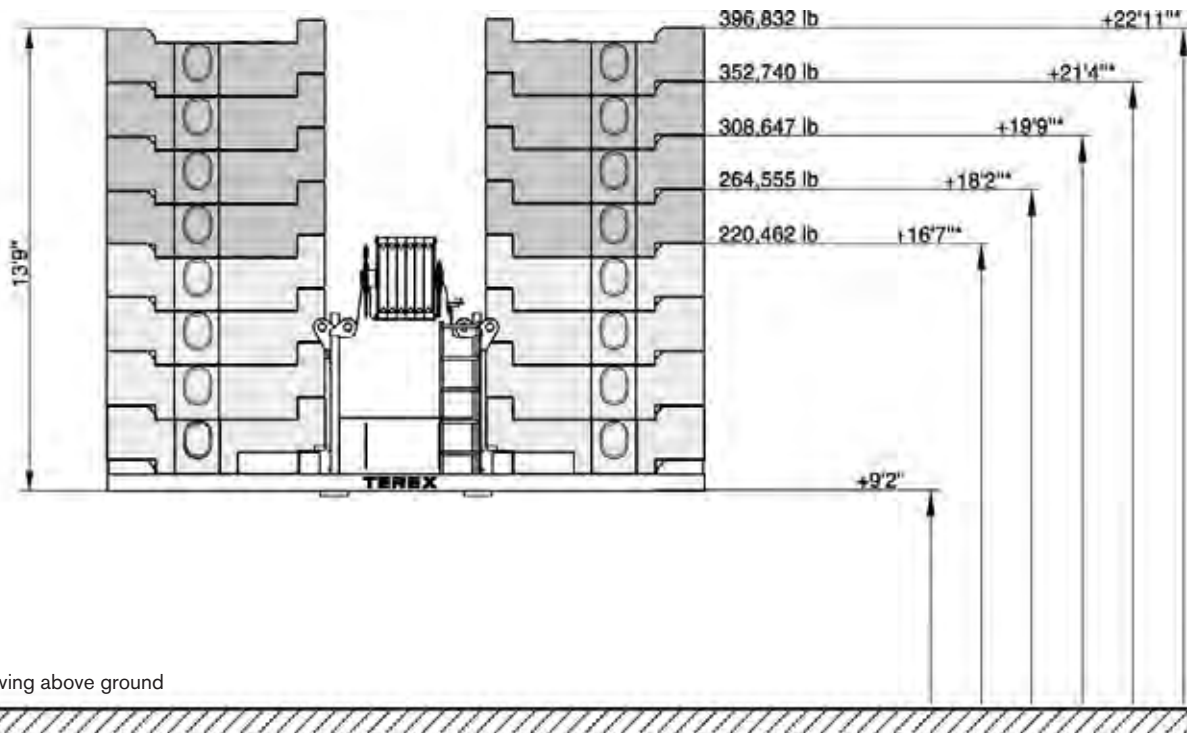
					
1	27,600	12,5-0-24	8	1,100 lb	6.6 ft
2	55,600	40-1-24	8	1,700 lb	8.9 ft
3	82,900	40-1-24	8	1,700 lb	8.9 ft
4	109,800	100-3-24	8	4,000 lb	9.8 ft
5	136,700	100-3-24	8	4,000 lb	9.8 ft
6	163,100	100-3-24	8	4,000 lb	9.8 ft
7	189,400	100-3-24	8	4,000 lb	9.8 ft
8	215,400	160-5-24	8	4,900 lb	9.8 ft
9	241,200	160-5-24	8	4,900 lb	9.8 ft
10	266,500	160-5-24	8	4,900 lb	9.8 ft
11	292,000	160-5-24	8	4,900 lb	9.8 ft
12	316,800	200-7-24	8	5,100 lb	9.8 ft
13	341,500	200-7-24	8	5,100 lb	9.8 ft
14	366,000	200-7-24	8	5,100 lb	9.8 ft
15	390,200	200-7-24	8	5,100 lb	9.8 ft
16	414,200	250-9-24	8	5,700 lb	14.8 ft
17	438,000	250-9-24	10 (S1)	5,700 lb	14.8 ft
18	461,400	250-9-24	10 (S1)	5,700 lb	14.8 ft
19	484,800	250-9-24	10 (S1)	5,700 lb	14.8 ft
20	507,700	320-11-24	10 (S1)	7,100 lb	14.8 ft
21	530,700	320-11-24	11 (S2)	7,100 lb	14.8 ft
22	553,100	320-11-24	11 (S2)	7,100 lb	14.8 ft



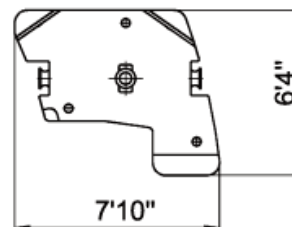
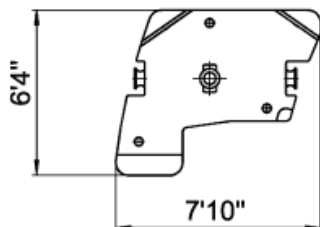
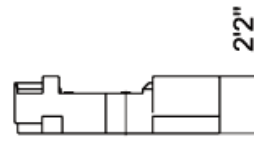
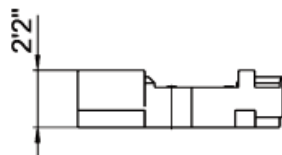
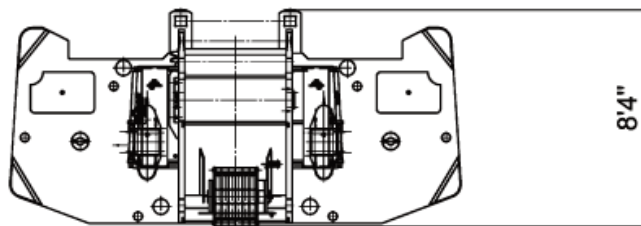
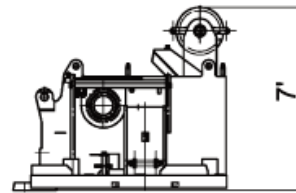
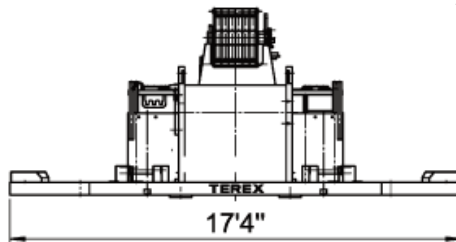


# COUNTERWEIGHT

# AC 500-2



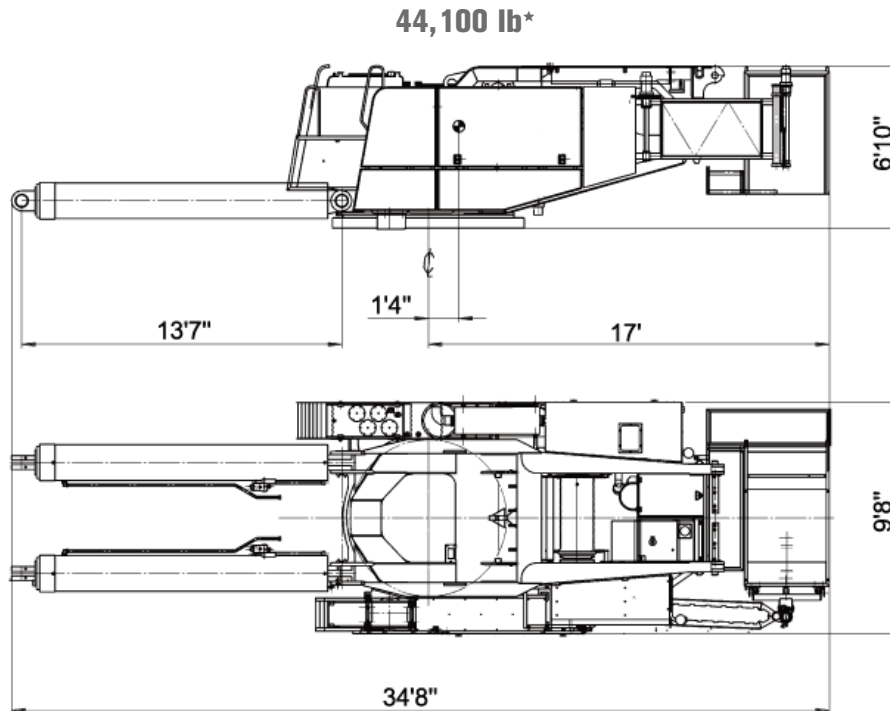
**44,100 lb**



# EQUIPMENT

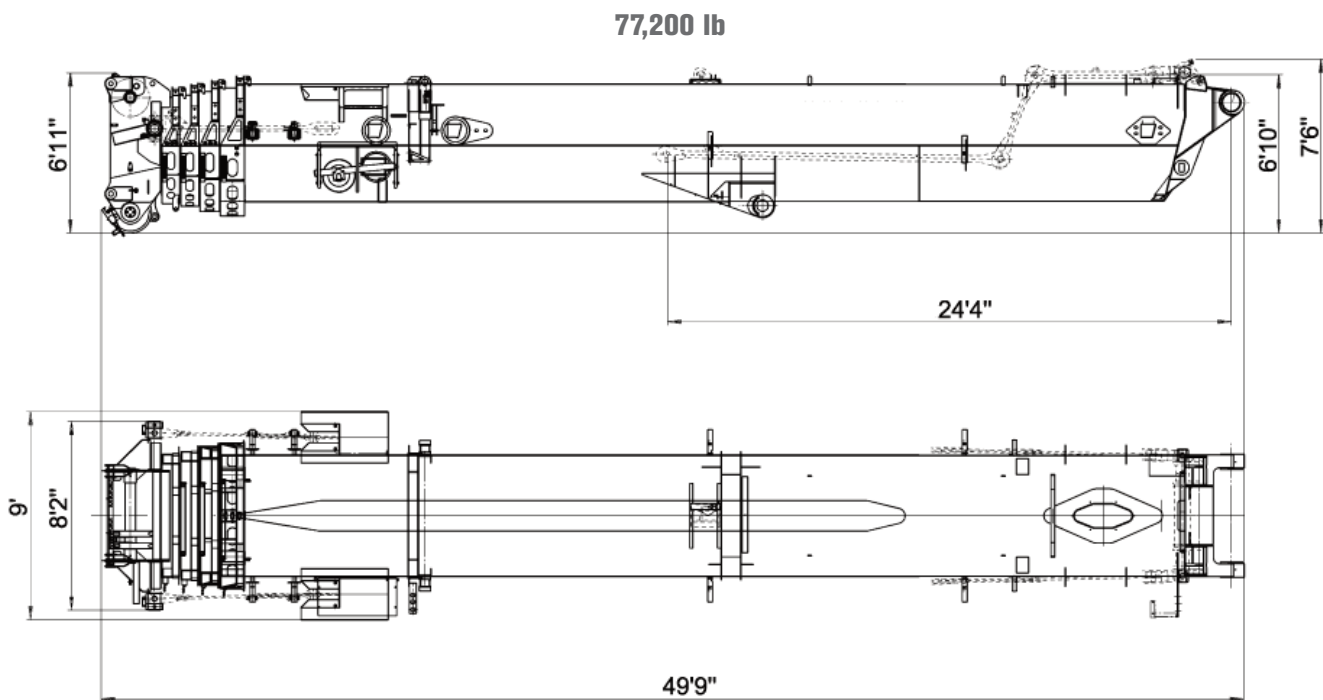
## AC 500-2

### Superstructure with luffing cylinder



\* incl. luffing cylinder

### Main boom

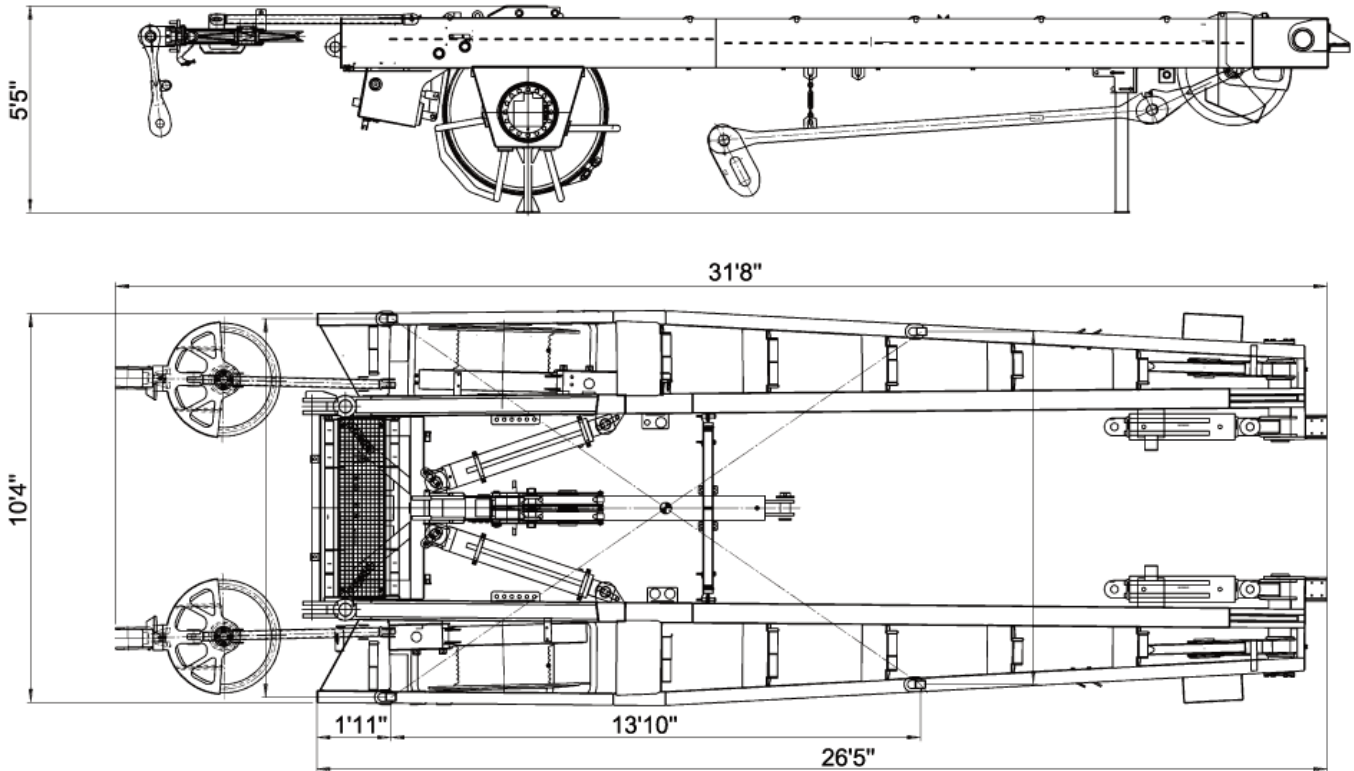


# EQUIPMENT

## AC 500-2

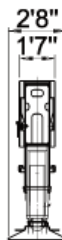
### Sideways Superlift SSL

26,500 lb

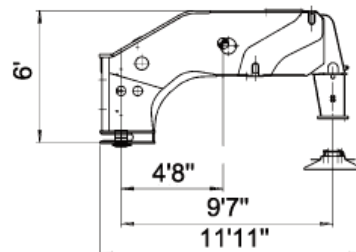
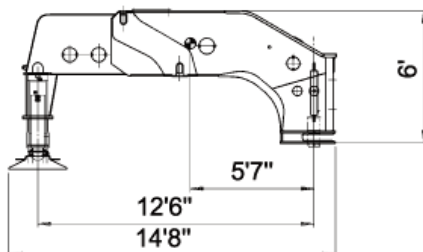
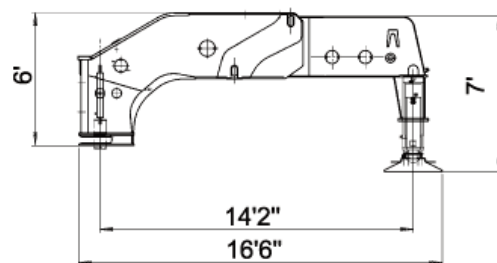
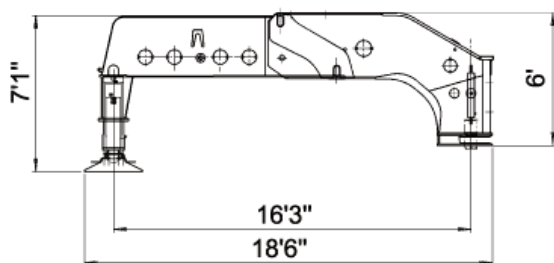


### Outriggers

7,000 lb

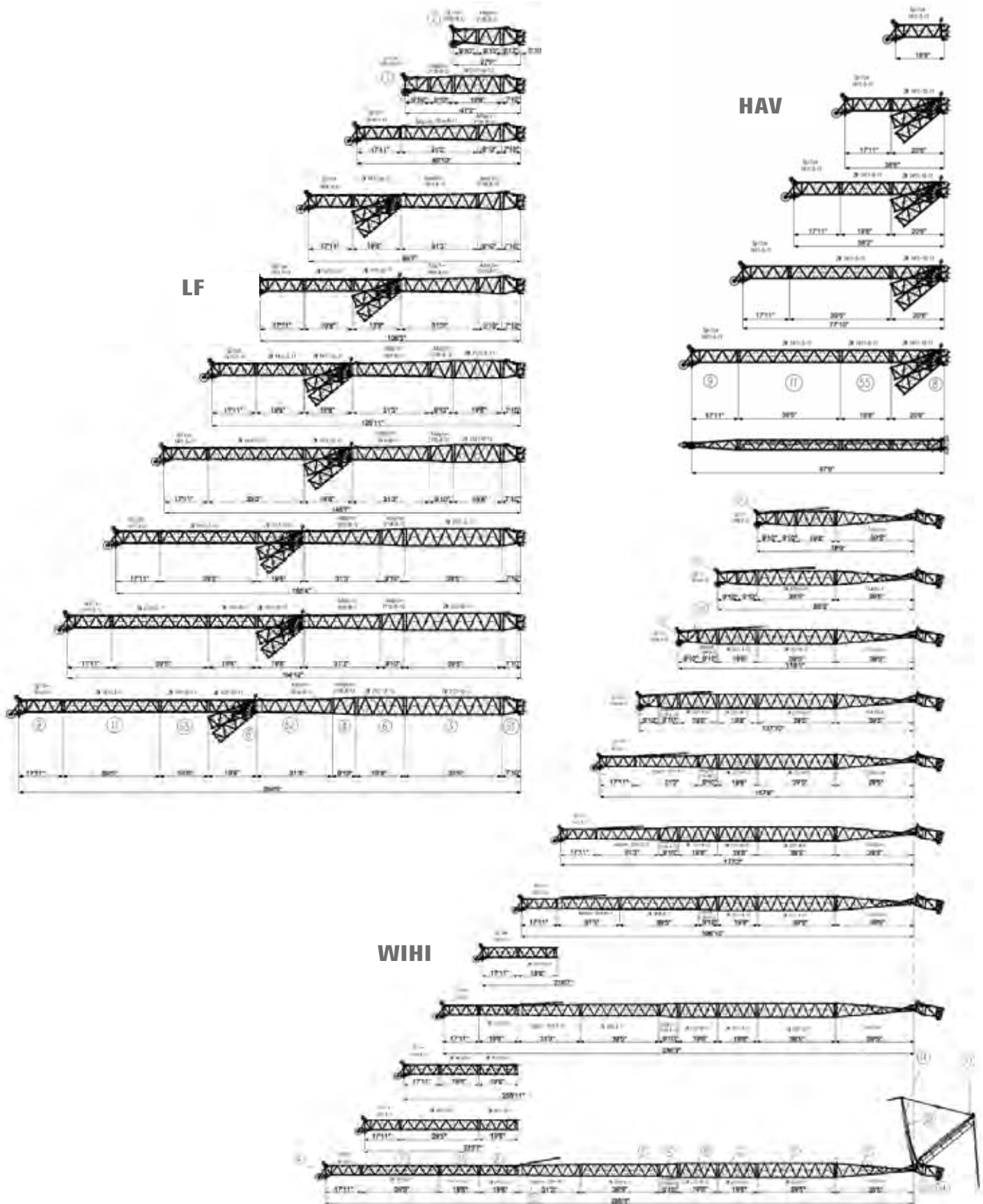


6,700 lb



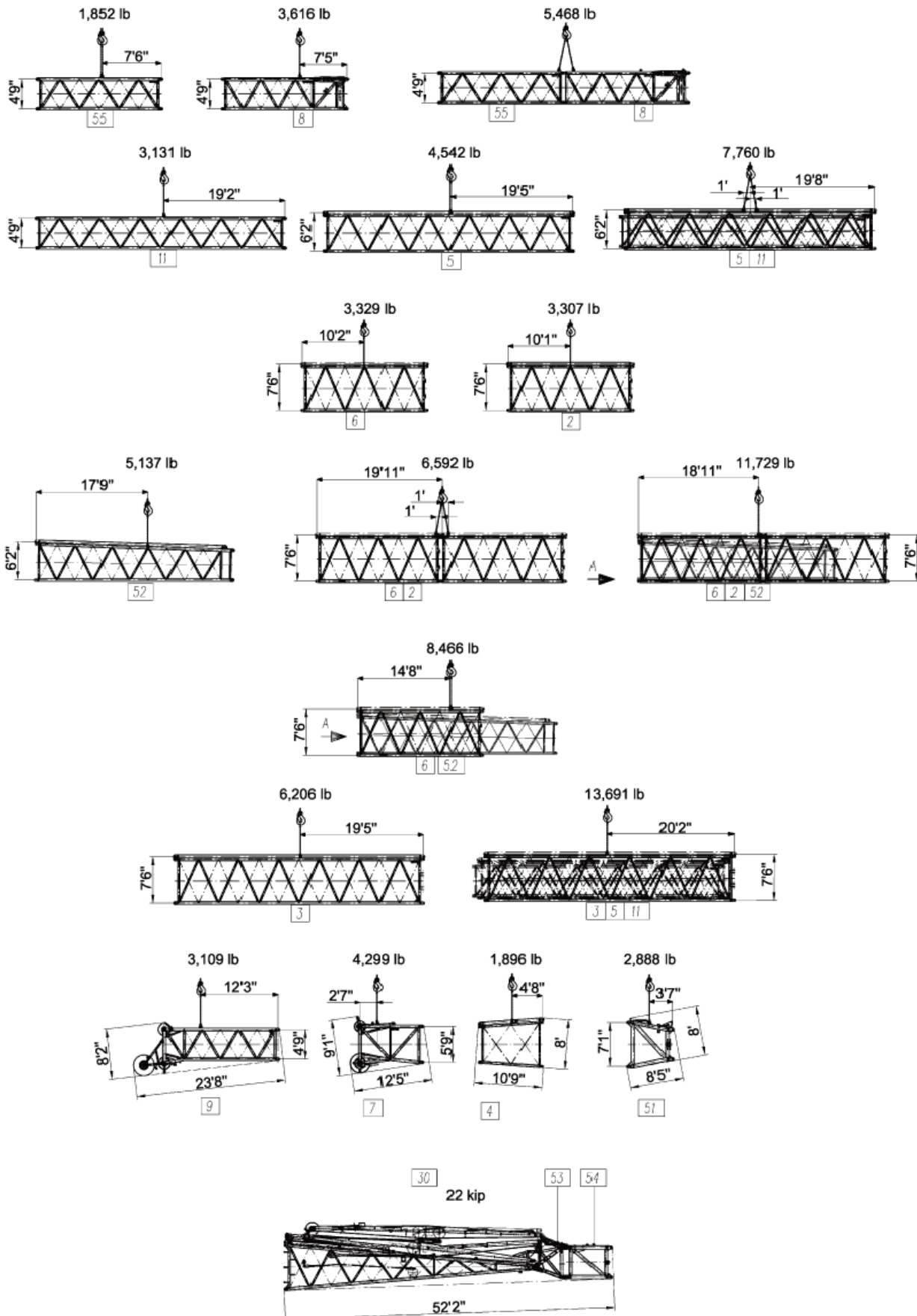
# EQUIPMENT

# AC 500-2



# EQUIPMENT

# AC 500-2



# OVERVIEW OF STANDARD LOAD CHARTS

## AC 500-2

### 31.6 ft x 31.5 ft

HA / HA-ZA / HA-SA / HA-SSL 0°	0 lb	44,100 lb	88,200 lb	132,300 lb	176,400 lb	220,500 lb	264,600 lb	308,600 lb	352,700 lb	396,800 lb
48.2 ft	x	x	x	x	x	x	x	x	x	- <sup>(1)(2)</sup>
63.3 ft	x	x	x	x	x	x	x	x	x	x
78.7 ft	x	x	x	x	x	x	x	x	x	- <sup>(1)</sup>
93.8 ft	x	x	x	x	x	x	x	x	x	-
108.9 ft	x	x	x	x	x	x/+SSL	x/+SSL	x/+SSL	x/+SSL	+SSL
124.3 ft	x	x	x	x	x	x/+SSL	x/+SSL	x/+SSL	x/+SSL	+SSL
139.4 ft	x	x	x	x	x	x/+SSL	x/+SSL	x/+SSL	x/+SSL	+SSL
154.9 ft	x	x	x	x	x	x/+SSL	x/+SSL	x/+SSL	x/+SSL	+SSL
169.9 ft	x	x	x	x	x	x/+SSL	x/+SSL	x/+SSL	x/+SSL	+SSL
183.7 ft	x	x	x	x	x	x/+SSL	x/+SSL	x/+SSL	x/+SSL	+SSL

<sup>1)</sup> HA-ZA

<sup>2)</sup> HA-SA

### 26.4 ft x 24.0 ft

	0 lb	44,100 lb	88,200 lb	132,300 lb	176,400 lb	220,500 lb
48.2 ft	x	x	x	x	x	x
63.3 ft	x	x	x	x	x	x
78.7 ft	x	x	x	x	x	x
93.8 ft	x	x	x	x	x	x
108.9 ft	x	x	x	x	x	x
124.3 ft	x	x	x	x	x	x
139.4 ft	x	x	x	x	x	x
154.9 ft	-	x	x	x	x	x
169.9 ft	-	x	x	x	x	x
183.7 ft	-	x	x	x	x	x

### 31.6 ft x 31.5 ft

HAV / HAV-SSL 0° / 30°	88,200 lb	132,300 lb	176,400 lb	220,500 lb	264,600 lb	308,600 lb	352,700 lb	396,800 lb
19.7 ft - 0°	x	x	x	x/+SSL	x/+SSL	x/+SSL	+SSL	+SSL
39.4 ft - 0°	x	x	x	x/+SSL	x/+SSL	x/+SSL	+SSL	+SSL
59.1 ft - 0°	x	x	x	x/+SSL	x/+SSL	x/+SSL	+SSL	+SSL
78.7 ft - 0°	x	x	x	x/+SSL	x/+SSL	x/+SSL	+SSL	+SSL
98.4 ft - 0°	x	x	x	x/+SSL	x/+SSL	x/+SSL	+SSL	+SSL
39.4 ft - 30°	x	x	x/+SSL	x/+SSL	x/+SSL	x/+SSL	+SSL	+SSL
59.1 ft - 30°	x	x	x/+SSL	x/+SSL	x/+SSL	x/+SSL	+SSL	+SSL
78.7 ft - 30°	x	x	x/+SSL	x/+SSL	x/+SSL	x/+SSL	+SSL	+SSL
98.4 ft - 30°	x	x	x/+SSL	x/+SSL	x/+SSL	x/+SSL	+SSL	+SSL
39.4 ft - 40°	x	x	x	x/+SSL	x/+SSL	+SSL	+SSL	-
59.1 ft - 40°	x	x	x	x/+SSL	x/+SSL	+SSL	+SSL	-
78.7 ft - 40°	x	x	x	x/+SSL	x/+SSL	+SSL	+SSL	-
98.4 ft - 40°	x	x	x	x/+SSL	x/+SSL	+SSL	+SSL	-

### 26.4 ft x 24.0 ft

	88,200 lb	132,300 lb	176,400 lb	220,500 lb
19.7 ft - 0°	x	x	x	x
39.4 ft - 0°	x	x	x	x
59.1 ft - 0°	x	x	x	x
78.7 ft - 0°	x	x	x	x
98.4 ft - 0°	x	x	x	x
39.4 ft - 20°	x	x	x	x
59.1 ft - 20°	x	x	x	x
78.7 ft - 20°	x	x	x	x
98.4 ft - 20°	x	x	x	x
39.4 ft - 40°	x	x	x	x
59.1 ft - 40°	x	x	x	x
78.7 ft - 40°	x	x	x	x
98.4 ft - 40°	x	x	x	x

### 31.6 ft x 31.5 ft

LF / LF-SSL 0° / 30°	88,200 lb	132,300 lb	176,400 lb	220,500 lb	264,600 lb	308,600 lb	352,700 lb	396,800 lb
27.6 ft - 0°	x	x	x	x	x	x	x	-
47.2 ft - 0°	x	x	x	x	x	x	x	-
66.9 ft - 0°	x	x	x	x	x	x	x	-
86.6 ft - 0°	x	x	x	x	x	x	x	-
106.3 ft - 0°	x	x	x	x	x	x	x	-
126.0 ft - 0°	x	x	x	x	x	x	x	-
145.7 ft - 0°	x	x	x	x	x	x	x	-
165.4 ft - 0°	x	x	x	x	x	x	x	-
185.0 ft - 0°	x	x	x	x	x	x	x	-
204.7 ft - 0°	x	x	x	x	x	x	x	-
86.6 ft - 20°	x	x	x	x	x	x	x	-
106.3 ft - 20°	x	x	x	x	x	x	x	-
126.0 ft - 20°	x	x	x	x	x	x	x	-
145.7 ft - 20°	x	x	x	x	x	x	x	-
165.4 ft - 20°	x	x	x	x	x	x	x	-
185.0 ft - 20°	x	x	x	x	x	x	x	-
204.7 ft - 20°	x	x	x	x	x	x	x	-
86.6 ft - 40°	x	x	x	x	x	-	-	-
106.3 ft - 40°	x	x	x	x	x	-	-	-
126.0 ft - 40°	x	x	x	x	x	-	-	-
145.7 ft - 40°	x	x	x	x	x	-	-	-
165.4 ft - 40°	x	x	x	x	x	-	-	-
185.0 ft - 40°	x	x	x	x	x	-	-	-
204.7 ft - 40°	x	x	x	x	x	-	-	-

### 26.4 ft x 24.0 ft

	88,200 lb	132,300 lb	176,400 lb	220,500 lb	264,600 lb	308,600 lb	352,700 lb	396,800 lb
27.6 ft - 0°	x	x	x/+SSL	x/+SSL	x/+SSL	x/+SSL	+SSL	+SSL
47.2 ft - 0°	x	x	x/+SSL	x/+SSL	x/+SSL	x/+SSL	+SSL	+SSL
66.9 ft - 0°	x	x	x/+SSL	x/+SSL	x/+SSL	x/+SSL	+SSL	+SSL
86.6 ft - 0°	x	x	x/+SSL	x/+SSL	x/+SSL	x/+SSL	+SSL	+SSL
106.3 ft - 0°	x	x	x/+SSL	x/+SSL	x/+SSL	x/+SSL	+SSL	+SSL
126.0 ft - 0°	x	x	x/+SSL	x/+SSL	x/+SSL	x/+SSL	+SSL	+SSL
145.7 ft - 0°	x	x	x/+SSL	x/+SSL	x/+SSL	x/+SSL	+SSL	+SSL
165.4 ft - 0°	x	x	x/+SSL	x/+SSL	x/+SSL	x/+SSL	+SSL	+SSL
86.6 ft - 20°	x	x	x	x/+SSL	x/+SSL	x/+SSL	+SSL	-
106.3 ft - 20°	x	x	x	x/+SSL	x/+SSL	x/+SSL	+SSL	-
126.0 ft - 20°	x	x	x	x/+SSL	x/+SSL	x/+SSL	+SSL	-
145.7 ft - 20°	x	x	x	x/+SSL	x/+SSL	x/+SSL	+SSL	-
165.4 ft - 20°	x	x	x	x/+SSL	x/+SSL	x/+SSL	+SSL	-
86.6 ft - 40°	x	x	x	x/+SSL	x/+SSL	+SSL	-	-
106.3 ft - 40°	x	x	x	x/+SSL	x/+SSL	+SSL	-	-
126.0 ft - 40°	x	x	x	x/+SSL	x/+SSL	+SSL	-	-
145.7 ft - 40°	x	x	x	x/+SSL	x/+SSL	+SSL	-	-
165.4 ft - 40°	x	x	x	x/+SSL	x/+SSL	+SSL	-	-

\*\* 176,400 lb: only SSL 30°



# OVERVIEW OF STANDARD LOAD CHARTS

# AC 500-2

## 31.6 ft x 31.5 ft

### WIHI

Diagram	Angle	83° / 73° / 65°							
		88,200 lb	132,300 lb	176,400 lb	220,500 lb	264,600 lb	308,600 lb	352,700 lb	396,800 lb
48.2 ft + 13.1 ft	78.7 ft	-	x/-	x/-	x/x/x	x/x/x	x/x/x	x/x/x	x/x/x
	98.4 ft	-	x/-	x/-	x/x/x	x/x/x	x/x/x	x/x/x	x/x/x
	118.1 ft	-	x/-	x/-	x/x/x	x/x/x	x/x/x	x/x/x	x/x/x
	137.8 ft	-	x/-	x/-	x/x/x	x/x/x	x/x/x	x/x/x	x/x/x
	157.5 ft	-	x/-	x/-	x/x/x	x/x/x	x/x/x	x/x/x	x/x/x
	177.2 ft	-	x/-	x/-	x/x/x	x/x/x	x/x/x	x/x/x	x/x/x
	196.9 ft	-	x/-	x/-	x/x/x	x/x/x	x/x/x	x/x/x	x/x/x
	216.5 ft	-	x/-	x/-	x/x/x	x/x/x	x/x/x	x/x/x	x/x/x
	236.2 ft	-	-	x/-	x/x/x	x/x/x	x/x/x	x/x/x	x/x/x
	255.9 ft	-	-	x/-	x/x/x	x/x/x	x/x/x	x/x/x	x/x/x
275.6 ft	-	-	-	x/x/x	x/x/x	x/x/x	x/x/x	x/x/x	
295.3 ft	-	-	-	x/x/x	x/x/x	x/x/x	x/x/x	x/x/x	

Diagram	Angle	83° / 73° / 65°							
		88,200 lb	132,300 lb	176,400 lb	220,500 lb	264,600 lb	308,600 lb	352,700 lb	396,800 lb
154.9 ft + 13.1 ft	78.7 ft	-	x/-	x/-	x/x/x	x/x/x	x/x/x	-	-
	98.4 ft	-	x/-	x/-	x/x/x	x/x/x	x/x/x	-	-
	118.1 ft	-	x/-	x/-	x/x/x	x/x/x	x/x/x	-	-
	137.8 ft	-	x/-	x/-	x/x/x	x/x/x	x/x/x	-	-
	157.5 ft	-	x/-	x/-	x/x/x	x/x/x	x/x/x	-	-
	177.2 ft	-	x/-	x/-	x/x/x	x/x/x	x/x/x	-	-
	196.9 ft	-	x/-	x/-	x/x/x	x/x/x	x/x/x	-	-
	216.5 ft	-	x/-	x/-	x/x/x	x/x/x	x/x/x	-	-
	236.2 ft	-	-	x/-	x/x/x	x/x/x	x/x/x	-	-
	255.9 ft	-	-	x/-	x/x/x	x/x/x	x/x/x	-	-
275.6 ft	-	-	-	x/x/x	x/x/x	x/x/x	-	-	
295.3 ft	-	-	-	x/x/x	x/x/x	x/x/x	-	-	

Diagram	Angle	83° / 73° / 65°							
		88,200 lb	132,300 lb	176,400 lb	220,500 lb	264,600 lb	308,600 lb	352,700 lb	396,800 lb
124.3 ft + 13.1 ft	78.7 ft	-	x/-	x/-	x/x/x	x/x/x	x/x/x	x/x/x	x/x/x
	98.4 ft	-	x/-	x/-	x/x/x	x/x/x	x/x/x	x/x/x	x/x/x
	118.1 ft	-	x/-	x/-	x/x/x	x/x/x	x/x/x	x/x/x	x/x/x
	137.8 ft	-	x/-	x/-	x/x/x	x/x/x	x/x/x	x/x/x	x/x/x
	157.5 ft	-	x/-	x/-	x/x/x	x/x/x	x/x/x	x/x/x	x/x/x
	177.2 ft	-	x/-	x/-	x/x/x	x/x/x	x/x/x	x/x/x	x/x/x
	196.9 ft	-	x/-	x/-	x/x/x	x/x/x	x/x/x	x/x/x	x/x/x
	216.5 ft	-	x/-	x/-	x/x/x	x/x/x	x/x/x	x/x/x	x/x/x
	236.2 ft	-	-	x/-	x/x/x	x/x/x	x/x/x	x/x/x	x/x/x
	255.9 ft	-	-	x/-	x/x/x	x/x/x	x/x/x	x/x/x	x/x/x
275.6 ft	-	-	-	x/x/x	x/x/x	x/x/x	x/x/x	x/x/x	
295.3 ft	-	-	-	x/x/x	x/x/x	x/x/x	x/x/x	x/x/x	

Diagram	Angle	83° / 73° / 65°							
		88,200 lb	132,300 lb	176,400 lb	220,500 lb	264,600 lb	308,600 lb	352,700 lb	396,800 lb
169.9 ft + 13.1 ft	78.7 ft	-	x/-	x/-	x/x/x	x/x/x	x/x/x	-	-
	98.4 ft	-	x/-	x/-	x/x/x	x/x/x	x/x/x	-	-
	118.1 ft	-	x/-	x/-	x/x/x	x/x/x	x/x/x	-	-
	137.8 ft	-	x/-	x/-	x/x/x	x/x/x	x/x/x	-	-
	157.5 ft	-	x/-	x/-	x/x/x	x/x/x	x/x/x	-	-
	177.2 ft	-	x/-	x/-	x/x/x	x/x/x	x/x/x	-	-
	196.9 ft	-	x/-	x/-	x/x/x	x/x/x	x/x/x	-	-
	216.5 ft	-	x/-	x/-	x/x/x	x/x/x	x/x/x	-	-
	236.2 ft	-	-	x/-	x/x/x	x/x/x	x/x/x	-	-
	255.9 ft	-	-	x/-	x/x/x	x/x/x	x/x/x	-	-
275.6 ft	-	-	-	x/x/x	x/x/x	x/x/x	-	-	
295.3 ft	-	-	-	x/x/x	x/x/x	x/x/x	-	-	

Diagram	Angle	83° / 73° / 65°							
		88,200 lb	132,300 lb	176,400 lb	220,500 lb	264,600 lb	308,600 lb	352,700 lb	396,800 lb
139.4 ft + 13.1 ft	78.7 ft	-	x/-	x/-	x/x/x	x/x/x	x/x/x	x/x/x	-
	98.4 ft	-	x/-	x/-	x/x/x	x/x/x	x/x/x	x/x/x	-
	118.1 ft	-	x/-	x/-	x/x/x	x/x/x	x/x/x	x/x/x	-
	137.8 ft	-	x/-	x/-	x/x/x	x/x/x	x/x/x	x/x/x	-
	157.5 ft	-	x/-	x/-	x/x/x	x/x/x	x/x/x	x/x/x	-
	177.2 ft	-	x/-	x/-	x/x/x	x/x/x	x/x/x	x/x/x	-
	196.9 ft	-	x/-	x/-	x/x/x	x/x/x	x/x/x	x/x/x	-
	216.5 ft	-	x/-	x/-	x/x/x	x/x/x	x/x/x	x/x/x	-
	236.2 ft	-	-	x/-	x/x/x	x/x/x	x/x/x	x/x/x	-
	255.9 ft	-	-	x/-	x/x/x	x/x/x	x/x/x	x/x/x	-
275.6 ft	-	-	-	x/x/x	x/x/x	x/x/x	x/x/x	-	
295.3 ft	-	-	-	x/x/x	x/x/x	x/x/x	x/x/x	-	

Diagram	Angle	83°							
		88,200 lb	132,300 lb	176,400 lb	220,500 lb	264,600 lb	308,600 lb	352,700 lb	396,800 lb
48.2 ft + 13.1 ft	78.7 ft	-	x	x	x	-	-	-	-
	98.4 ft	-	x	x	x	-	-	-	-
	118.1 ft	-	x	x	x	-	-	-	-
	137.8 ft	-	x	x	x	-	-	-	-
	157.5 ft	-	x	x	x	-	-	-	-
	177.2 ft	-	x	x	x	-	-	-	-
	196.9 ft	-	x	x	x	-	-	-	-
	216.5 ft	-	-	x	x	-	-	-	-
	236.2 ft	-	-	-	x	-	-	-	-
	255.9 ft	-	-	-	x	-	-	-	-
295.3 ft	-	-	-	-	x	-	-	-	

## 31.6 ft x 31.5 ft

### WIHI-SSL 30°

Diagram	Angle	HA 108.9 ft + 13.1 ft				HA 139.4 ft + 13.1 ft			
		264,600 lb	308,600 lb	352,700 lb	396,800 lb	264,600 lb	308,600 lb	352,700 lb	396,800 lb
83° / 73° / 65°	98.4 ft	x/x/x	x/x/x	x/x/x	x/x/x	x/x/x	x/x/x	x/x/x	x/x/x
	118.1 ft	x/x/x	x/x/x	x/x/x	x/x/x	x/x/x	x/x/x	x/x/x	x/x/x
	137.8 ft	x/x/x	x/x/x	x/x/x	x/x/x	x/x/x	x/x/x	x/x/x	x/x/x
	157.5 ft	x/x/x	x/x/x	x/x/x	x/x/x	x/x/x	x/x/x	x/x/x	x/x/x
	177.2 ft	x/x/x	x/x/x	x/x/x	x/x/x	x/x/x	x/x/x	x/x/x	x/x/x
	196.9 ft	x/x/x	x/x/x	x/x/x	x/x/x	x/x/x	x/x/x	x/x/x	x/x/x
	216.5 ft	x/x/x	x/x/x	x/x/x	x/x/x	x/x/x	x/x/x	x/x/x	x/x/x
	236.2 ft	x/x/x	x/x/x	x/x/x	x/x/x	x/x/x	x/x/x	x/x/x	x/x/x
	255.9 ft	x/x/x	x/x/x	x/x/x	x/x/x	x/x/x	x/x/x	x/x/x	x/x/x
	275.6 ft	x/x/x	x/x/x	x/x/x	x/x/x	x/x/x	x/x/x	x/x/x	x/x/x
295.3 ft	x/x/x	x/x/x	x/x/x	x/x/x	x/x/x	x/x/x	x/x/x	x/x/x	

Diagram	Angle	HA 154.9 ft + 13.1 ft				HA 169.9 ft + 13.1 ft			
		264,600 lb	308,600 lb	352,700 lb	396,800 lb	264,600 lb	308,600 lb	352,700 lb	396,800 lb
83° / 73° / 65°	98.4 ft	x/x/x	x/x/x	x/x/x	x/x/x	x/x/x	x/x/x	x/x/x	x/x/x
	118.1 ft	x/x/x	x/x/x	x/x/x	x/x/x	x/x/x	x/x/x	x/x/x	x/x/x
	137.8 ft	x/x/x	x/x/x	x/x/x	x/x/x	x/x/x	x/x/x	x/x/x	x/x/x
	157.5 ft	x/x/x	x/x/x	x/x/x	x/x/x	x/x/x	x/x/x	x/x/x	x/x/x
	177.2 ft	x/x/x	x/x/x	x/x/x	x/x/x	x/x/x	x/x/x	x/x/x	x/x/x
	196.9 ft	x/x/x	x/x/x	x/x/x	x/x/x	x/x/x	x/x/x	x/x/x	x/x/x
	216.5 ft	x/x/x	x/x/x	x/x/x	x/x/x	x/x/x	x/x/x	x/x/x	x/x/x
	236.2 ft	x/x/x	x/x/x	x/x/x	x/x/x	x/x/x	x/x/x	x/x/x	x/x/x
	255.9 ft	x/x/x	x/x/x	x/x/x	x/x/x	x/x/x	x/x/x	x/x/x	x/x/x
	275.6 ft	x/x/x	x/x/x	x/x/x	x/x/x	x/x/x	x/x/x	x/x/x	x/x/x
295.3 ft	-	-	-	-	-	-	-	-	

## 31.6 ft x 31.5 ft

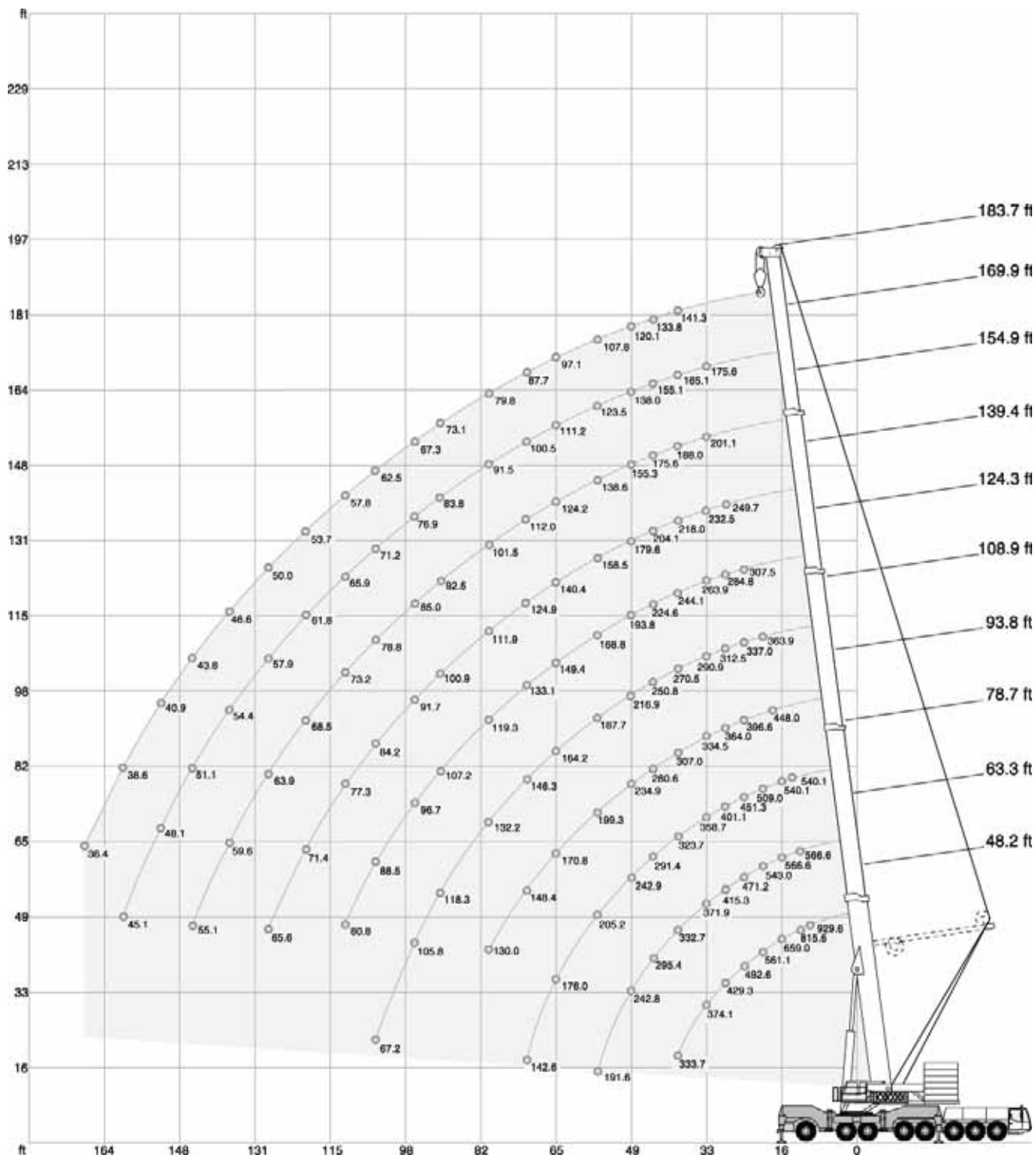
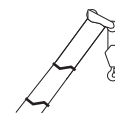
### WIHI-SSL 60°

Diagram	Angle	83°							
		88,200 lb	132,300 lb	176,400 lb	220,500 lb	264,600 lb	308,600 lb	352,700 lb	396,800 lb
108.9 ft + 13.1 ft	98.4 ft	-	-	x	x	x	x	x	x
	118.1 ft	-	-	x	x	x	x	x	x
	137.8 ft	-	-	x	x	x	x	x	x
	157.5 ft	-	-	x	x	x	x	x	x
	177.2 ft	-	-	x	x	x	x	x	x
	196.9 ft	-	-	x	x	x	x	x	x
	216.5 ft	-	-	x	x	x	x	x	x
	236.2 ft	-	-	x	x	x	x	x	x
	255.9 ft	-	-	x	x	x	x	x	x
	275.6 ft	-	-	-	x	x	x	x	x
295.3 ft	-	-	-	-	x	x	x	x	



# HA / HA-SSL

# AC 500-2











# HA / HA-ZA / HA-SA

# AC 500-2

**352,700 lb**  **31.6 ft x 31.5 ft** **360°** **85%**



			48.2ft <sup>1)</sup>	48.2ft	63.3ft <sup>1)</sup>	63.3ft	78.7ft <sup>1)</sup>	78.7ft	93.8ft	108.9ft	124.3ft	139.4ft	154.9ft	169.9ft	183.7ft	
ft	1,000 lb															ft
10	1102,3**	-	-	-	-	-	-	-	-	-	-	-	-	-	-	10
12	929,6**	551,2	-	-	-	-	-	-	-	-	-	-	-	-	-	12
14	815,6**	551,2	566,6*	551,2	-	-	-	-	-	-	-	-	-	-	-	14
16	728,7**	551,2	566,6*	551,2	540,1	540,1	-	-	-	-	-	-	-	-	-	16
18	659,0**	551,2	566,6*	551,2	540,1	540,1	-	-	-	-	-	-	-	-	-	18
20	607,4**	523,3	558,0*	523,3	527,3	517,6	448,0	-	-	-	-	-	-	-	-	20
24	561,1*	489,0	543,0	489,0	509,0	489,0	429,6	363,9	-	-	-	-	-	-	-	24
28	492,6	429,9	471,2	429,9	451,3	429,9	396,6	337,0	307,5	-	-	-	-	-	-	28
32	429,3	382,4	415,3	382,4	401,1	382,4	364,0	312,5	284,8	249,7	-	-	-	-	-	32
36	374,1	344,4	371,9	344,4	358,7	342,7	334,5	290,9	263,9	232,5	201,1	175,6	-	-	-	36
40	333,7	313,7	332,7	313,7	323,7	311,5	307,0	270,5	244,1	218,0	188,0	165,1	141,3	-	-	40
48	-	-	295,4	284,8	291,4	282,6	280,6	250,8	224,6	204,1	175,6	155,1	133,8	-	-	48
56	-	-	242,8	236,6	242,9	234,2	234,9	216,9	193,8	179,6	155,3	138,0	120,1	-	-	56
64	-	-	191,6	191,1	205,2	197,3	199,3	187,7	168,8	158,5	138,6	123,5	107,8	-	-	64
72	-	-	-	-	176,0	168,9	170,8	164,2	149,4	140,4	124,2	111,2	97,1	-	-	72
80	-	-	-	-	142,5	142,6	148,4	146,3	133,1	124,9	112,0	100,5	87,7	-	-	80
88	-	-	-	-	-	-	130,0	132,2	119,3	111,9	101,5	91,5	79,8	-	-	88
96	-	-	-	-	-	-	-	118,3	107,2	100,9	92,5	83,8	73,1	-	-	96
104	-	-	-	-	-	-	-	105,8	96,7	91,7	85,0	76,9	67,3	-	-	104
112	-	-	-	-	-	-	-	67,2	88,5	84,2	78,8	71,2	62,5	-	-	112
120	-	-	-	-	-	-	-	-	80,8	77,3	73,2	65,9	57,8	-	-	120
128	-	-	-	-	-	-	-	-	-	71,4	68,5	61,8	53,7	-	-	128
136	-	-	-	-	-	-	-	-	-	65,6	63,9	57,9	50,0	-	-	136
144	-	-	-	-	-	-	-	-	-	-	59,6	54,4	46,6	-	-	144
152	-	-	-	-	-	-	-	-	-	-	55,1	51,1	43,8	-	-	152
160	-	-	-	-	-	-	-	-	-	-	-	48,1	40,9	-	-	160
168	-	-	-	-	-	-	-	-	-	-	-	45,1	38,6	-	-	168

**264,600 lb**  **31.6 ft x 31.5 ft** **360°** **85%**

			48.2ft	63.3ft	78.7ft	93.8ft	108.9ft	124.3ft	139.4ft	154.9ft	169.9ft	183.7ft	
ft	1,000 lb												ft
10	551,2	-	-	-	-	-	-	-	-	-	-	-	10
12	551,2	551,2	-	-	-	-	-	-	-	-	-	-	12
14	551,2	551,2	540,1	-	-	-	-	-	-	-	-	-	14
16	546,2	544,5	540,1	-	-	-	-	-	-	-	-	-	16
18	514,5	512,3	511,2	448,0	-	-	-	-	-	-	-	-	18
20	477,9	478,2	476,0	429,6	363,9	-	-	-	-	-	-	-	20
24	419,6	421,1	418,9	396,6	337,0	307,5	-	-	-	-	-	-	24
28	373,6	373,6	372,6	364,0	312,5	284,8	249,7	-	-	-	-	-	28
32	330,6	330,6	328,9	329,5	290,9	263,9	232,5	201,1	175,6	-	-	-	32
36	294,0	294,0	291,8	294,0	270,5	244,1	218,0	188,0	165,1	141,3	-	-	36
40	-	260,7	258,5	260,7	250,8	224,6	204,1	175,6	155,1	133,8	-	-	40
48	-	214,5	212,2	214,5	215,5	193,8	179,6	155,3	138,0	120,1	-	-	48
56	-	178,0	178,8	178,1	181,3	168,8	158,5	138,6	123,5	107,8	-	-	56
64	-	-	151,9	148,8	152,4	148,4	140,4	124,2	111,2	97,1	-	-	64
72	-	-	127,1	123,6	127,3	124,9	124,7	112,0	100,5	87,7	-	-	72
80	-	-	-	105,6	107,9	105,5	105,4	101,5	91,5	79,8	-	-	80
88	-	-	-	-	92,7	90,3	90,1	91,1	83,8	73,1	-	-	88
96	-	-	-	-	80,5	78,1	77,9	79,4	76,9	67,3	-	-	96
104	-	-	-	-	67,2	71,4	68,0	69,3	70,8	62,5	-	-	104
112	-	-	-	-	-	63,8	59,8	60,9	62,9	57,8	-	-	112
120	-	-	-	-	-	-	53,3	54,1	56,0	53,7	-	-	120
128	-	-	-	-	-	-	49,9	48,1	50,0	49,7	-	-	128
136	-	-	-	-	-	-	-	43,3	44,8	45,0	-	-	136
144	-	-	-	-	-	-	-	40,7	40,1	40,1	-	-	144
152	-	-	-	-	-	-	-	-	36,1	36,1	-	-	152
160	-	-	-	-	-	-	-	-	32,5	32,3	-	-	160
168	-	-	-	-	-	-	-	-	-	29,2	-	-	168

\*\* over rear

\*,\*\* HA-SA: Main boom with special equipment

1) HA-ZA =  396,800 lb + 

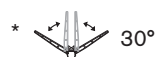


# HA-SSL 0°

# AC 500-2

396,800 lb		31.6 ft x 31.5 ft					360°	85%
ft	108.9ft	124.3ft	139.4ft	154.9ft	169.9ft	183.7ft	ft	
20	411,0	-	-	-	-	-	20	
24	394,2	362,5	326,4	-	-	-	24	
28	369,5	349,1	318,3	272,0	-	-	28	
32	333,9	327,3	310,3	265,6	256,8*	-	32	
36	301,6	298,3	290,4	258,1	238,5*	217,3*	36	
40	272,2	269,8	267,6	249,6	220,3*	202,5*	40	
48	230,9	227,4	225,1	224,9	199,9	176,5*	48	
56	195,8	196,5	194,6	193,8	187,6	157,1	56	
64	168,9	169,0	170,0	169,6	169,1	147,4	64	
72	154,6	145,8	155,1	150,3	150,1	138,2	72	
80	138,6	127,6	137,5	132,0	134,4	129,6	80	
88	123,6	112,5	122,4	116,9	119,3	119,5	88	
96	108,3	100,1	109,8	104,3	106,5	107,0	96	
104	-	89,4	99,0	93,6	95,8	96,1	104	
112	-	77,3	89,9	84,4	86,6	86,8	112	
120	-	-	81,6	76,5	78,5	79,0	120	
128	-	-	61,9	69,6	71,6	72,1	128	
136	-	-	-	62,8	65,3	65,7	136	
144	-	-	-	52,1	59,8	60,0	144	
152	-	-	-	-	53,8	54,9	152	
160	-	-	-	-	-	50,4	160	
168	-	-	-	-	-	43,8	168	

264,600 lb		31.6 ft x 31.5 ft					360°	85%
ft	108.9ft	124.3ft	139.4ft	154.9ft	169.9ft	183.7ft	ft	
20	411,0	-	-	-	-	-	20	
24	392,8	362,5	326,4	-	-	-	24	
28	360,4	349,1	318,3	272,0	-	-	28	
32	319,0	320,6	310,3	265,6	256,8*	-	32	
36	283,0	285,2	284,0	258,1	238,5*	217,3*	36	
40	249,7	251,9	254,1	248,4	220,3*	202,5*	40	
48	203,3	206,0	208,0	210,7	199,4	176,5*	48	
56	178,5	170,7	178,8	175,5	177,8	157,1	56	
64	154,1	143,1	153,2	147,9	150,2	147,4	64	
72	131,9	118,7	130,6	124,2	127,0	127,5	72	
80	112,3	99,3	111,1	104,8	107,4	108,0	80	
88	96,8	83,8	95,5	89,2	91,9	92,3	88	
96	84,1	71,3	82,7	76,5	79,0	79,4	96	
104	-	60,8	72,2	66,0	68,5	68,9	104	
112	-	52,0	63,5	57,3	60,0*	60,2	112	
120	-	-	56,5	49,8	52,4	52,8	120	
128	-	-	40,5	43,4	45,9*	46,3	128	
136	-	-	-	37,8	40,2	40,7	136	
144	-	-	-	33,1	35,3	35,7	144	
152	-	-	-	-	31,2	31,4	152	
160	-	-	-	-	-	27,6	160	
168	-	-	-	-	-	24,3	168	



# HA

# AC 500-2

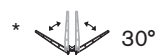
132,300 lb		31.6 ft x 31.5 ft										360°	85%
	48.2ft	63.3ft	78.7ft	93.8ft	108.9ft	124.3ft	139.4ft	154.9ft	169.9ft	183.7ft			
ft	1,000 lb										ft		
10	551,2	-	-	-	-	-	-	-	-	-	10		
12	551,2	551,2	-	-	-	-	-	-	-	-	12		
14	551,2	551,2	540,1	-	-	-	-	-	-	-	14		
16	531,2	529,5	526,8	-	-	-	-	-	-	-	16		
18	495,8	495,8	493,6	448,0	-	-	-	-	-	-	18		
20	459,2	459,2	457,0	429,4	363,9	-	-	-	-	-	20		
24	386,1	386,1	383,9	386,1	337,0	307,5	-	-	-	-	24		
28	324,8	324,8	327,0	324,8	312,5	284,8	249,7	-	-	-	28		
32	277,6	277,6	279,8	277,6	277,6	257,3	232,5	201,1	175,6	-	32		
36	228,9	229,2	232,2	229,0	231,7	221,1	207,7	188,0	165,1	141,3	36		
40	-	182,3	186,3	192,2	187,6	184,3	180,5	173,7	155,1	133,8	40		
48	-	130,2	136,9	135,6	131,3	133,9	128,7	130,7	132,4	119,8	48		
56	-	101,4	103,1	101,8	105,6	102,6	102,7	102,2	99,8	100,1	56		
64	-	-	80,9	84,3	83,1	83,6	82,5	79,8	77,5	77,8	64		
72	-	-	67,9	68,7	68,8	67,8	66,5	63,8	61,6	62,1	72		
80	-	-	-	57,2	57,8	56,3	55,1	52,5	50,3	50,5	80		
88	-	-	-	-	48,7	47,4	46,1	43,6	41,2	41,5	88		
96	-	-	-	-	41,6	40,2	38,9	36,1	33,6	34,0	96		
104	-	-	-	-	35,9	34,2	32,7	30,0	27,6	27,8	104		
112	-	-	-	-	-	29,1	27,8	24,9	22,5	22,7	112		
120	-	-	-	-	-	-	23,6	20,7	18,3	18,5	120		
128	-	-	-	-	-	-	20,0	17,2	14,8	15,0	128		
136	-	-	-	-	-	-	-	14,1	11,7	11,9	136		
144	-	-	-	-	-	-	-	11,6	9,1	9,2	144		
152	-	-	-	-	-	-	-	-	6,8	6,8	152		
160	-	-	-	-	-	-	-	-	5,0	-	160		

0 lb		31.6 ft x 31.5 ft										360°	85%
	48.2ft	63.3ft	78.7ft	93.8ft	108.9ft	124.3ft	139.4ft	154.9ft	169.9ft	183.7ft			
ft	1,000 lb										ft		
10	551,2	-	-	-	-	-	-	-	-	-	10		
12	551,2	551,2	-	-	-	-	-	-	-	-	12		
14	537,0	535,9	530,7	-	-	-	-	-	-	-	14		
16	479,8	479,8	439,4	-	-	-	-	-	-	-	16		
18	407,3	379,5	344,2	289,2	-	-	-	-	-	-	18		
20	333,6	286,7	261,0	225,1	193,1	180,0	-	-	-	-	20		
24	190,2	187,1	171,1	161,3	144,8	134,0	121,8	-	-	-	24		
28	111,4	124,4	126,1	118,8	111,3	101,3	92,9	83,0	-	-	28		
32	71,7	82,7	90,0	89,8	86,7	79,3	73,2	65,1	58,0	-	32		
36	52,0	61,5	68,0	69,2	68,6	64,1	59,8	52,9	46,9	44,6	36		
40	-	44,6	50,4	51,5	52,4	50,6	47,9	42,2	36,9	35,2	40		
48	-	27,1	32,0	32,9	33,7	32,2	30,9	27,4	22,4	21,0	48		
56	-	16,6	21,0	21,9	22,6	21,0	19,9	15,8	11,5	10,6	56		
64	-	-	13,8	14,5	15,2	13,7	12,4	8,2	-	-	64		
72	-	-	8,1	8,9	9,6	7,8	6,5	-	-	-	72		

# HA-SSL 0°

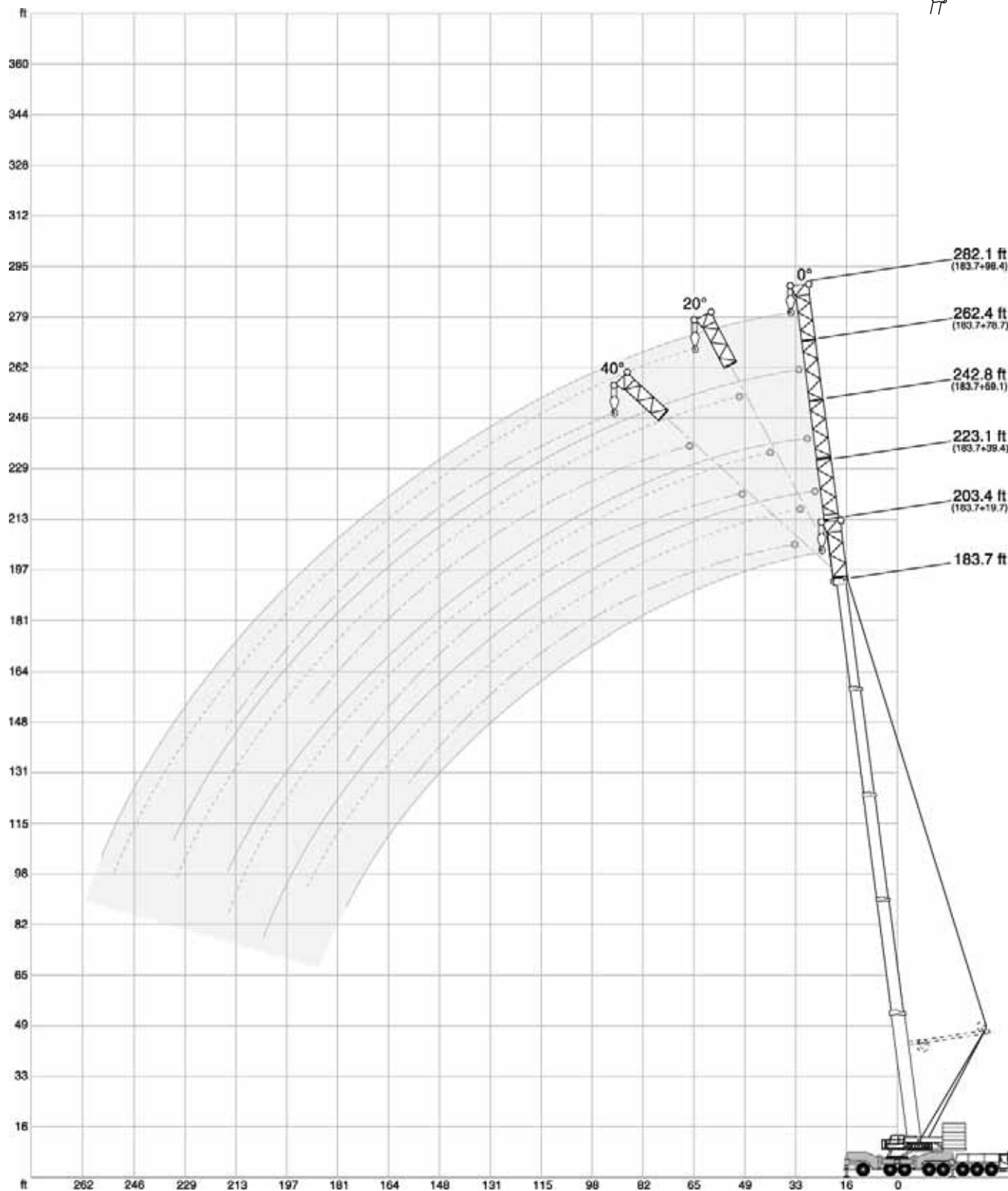
# AC 500-2

176,400 lb		31.6 ft x 31.5 ft					360°		85%	
ft	108.9ft	124.3ft	139.4ft	154.9ft	169.9ft	183.7ft	ft			
20	411,0	-	-	-	-	-	20			
24	385,8	362,5	326,4	-	-	-	24			
28	334,8	334,9	318,3	272,0	-	-	28			
32	288,7	292,5	293,7	265,6	256,8*	-	32			
36	253,2	256,5	258,7	247,4	238,5*	217,3*	36			
40	220,0	222,4	224,7	225,1	218,9*	202,1*	40			
48	181,7	165,9	180,3	172,9	172,5	169,5*	48			
56	138,3	123,1	137,1	129,7	132,9	133,5	56			
64	109,0	94,6	107,7	100,8	103,7	104,4	64			
72	88,2	74,3	87,1	80,2	83,1	83,5	72			
80	73,2	59,3	72,1	65,5	68,2	68,6	80			
88	61,7	47,5	60,5	53,6	56,7	57,1	88			
96	52,6	38,1	51,0	43,9	46,9	47,3	96			
104	-	30,4	43,0	36,0	38,8	39,3	104			
112	-	24,2	36,5	29,5	32,3*	32,7	112			
120	-	-	31,0	24,0	26,8	27,1	120			
128	-	-	16,7	19,4	22,0	22,5	128			
136	-	-	-	15,6	18,0	18,3	136			
144	-	-	-	12,3	14,5	14,7	144			
152	-	-	-	-	11,5	11,8	152			
160	-	-	-	-	-	9,2	160			
168	-	-	-	-	-	6,9	168			



# HAV / HAV-SSL

## AC 500-2



# HAV

# AC 500-2

☰ 308,600 lb		☰ 31.6 ft x 31.5 ft												360°		85%	
📏 183.7 ft																	
☰	📏	19.7 ft			39.4 ft			59.1 ft			78.7 ft			98.4 ft			☰
		0°	0°	20°	40°*	0°	20°	40°*	0°	20°	40°*	0°	20°	40°*			
ft		1,000 lb														ft	
40	105,8	-	-	-	-	-	-	-	-	-	-	-	-	-	-	-	40
48	94,8	80,5	-	-	67,0	-	-	-	-	-	-	-	-	-	-	-	48
56	85,3	72,3	61,6	-	61,1	-	-	53,2	-	-	-	46,4	-	-	-	-	56
64	77,2	65,3	57,3	-	55,9	-	-	48,9	-	-	-	42,6	-	-	-	-	64
72	70,0	59,2	53,2	47,2	51,2	41,7	-	45,1	-	-	-	39,3	-	-	-	-	72
80	64,2	54,2	49,5	44,8	47,2	39,3	34,0	41,6	33,0	-	-	36,4	-	-	-	-	80
88	59,1	49,9	46,1	42,4	43,7	37,2	32,6	38,6	31,2	-	-	33,8	-	-	-	-	88
96	54,7	46,3	43,0	39,9	40,4	35,2	31,2	35,9	29,4	25,2	-	31,4	24,9	-	-	-	96
104	50,5	42,9	40,2	37,6	37,8	33,3	29,9	33,6	27,9	24,2	-	29,3	23,5	-	-	-	104
112	46,8	40,0	37,8	35,4	35,2	31,4	28,6	31,2	26,4	23,3	-	27,5	22,4	19,4	-	-	112
120	43,6	37,3	35,4	33,4	33,0	29,8	27,5	29,3	25,1	22,5	-	25,6	21,4	18,5	-	-	120
128	40,4	34,8	33,4	31,4	30,9	28,1	26,2	27,5	23,9	21,7	-	24,1	20,3	17,7	-	-	128
136	37,6	32,5	31,3	29,5	28,9	26,6	25,2	25,9	22,7	20,7	-	22,6	19,2	16,9	-	-	136
144	35,2	30,3	29,6	28,1	27,2	25,2	24,1	24,3	21,7	19,9	-	21,2	18,3	16,3	-	-	144
152	32,8	28,4	28,0	26,5	25,4	23,9	23,0	22,7	20,6	19,1	-	20,1	17,3	15,6	-	-	152
160	30,9	26,7	26,4	25,2	24,0	22,7	22,1	21,4	19,7	18,4	-	18,8	16,5	15,0	-	-	160
168	29,2	25,1	24,9	-	22,5	21,5	21,1	20,1	18,8	17,7	-	17,8	15,7	14,5	-	-	168
176	27,6	23,8	23,6	-	21,1	20,4	20,2	18,7	18,0	16,9	-	16,7	14,9	14,0	-	-	176
184	26,1	22,5	22,3	-	20,0	19,4	-	17,6	17,1	16,2	-	15,6	14,1	13,4	-	-	184
192	-	21,4	21,1	-	18,7	18,3	-	16,5	16,1	15,5	-	14,6	13,3	12,9	-	-	192
200	-	20,3	19,9	-	17,7	17,2	-	15,5	15,2	15,0	-	13,6	12,6	12,4	-	-	200
208	-	-	-	-	16,7	16,2	-	14,5	14,5	-	-	12,8	11,7	11,8	-	-	208
216	-	-	-	-	15,7	15,3	-	13,5	13,5	-	-	12,0	11,1	11,3	-	-	216
224	-	-	-	-	-	-	-	12,7	12,6	-	-	11,1	10,4	-	-	-	224
232	-	-	-	-	-	-	-	11,9	11,8	-	-	10,1	9,7	-	-	-	232
240	-	-	-	-	-	-	-	11,1	-	-	-	9,3	9,0	-	-	-	240
248	-	-	-	-	-	-	-	-	-	-	-	8,5	8,2	-	-	-	248
256	-	-	-	-	-	-	-	-	-	-	-	7,7	7,5	-	-	-	256



☰ 88,200 lb		☰ 31.6 ft x 31.5 ft												360°		85%	
📏 183.7 ft																	
☰	📏	19.7 ft			39.4 ft			59.1 ft			78.7 ft			98.4 ft			☰
		0°	0°	20°	40°	0°	20°	40°	0°	20°	40°	0°	20°	40°			
ft		1,000 lb														ft	
40	105,8	-	-	-	-	-	-	-	-	-	-	-	-	-	-	-	40
48	92,4	80,5	-	-	67,0	-	-	-	-	-	-	-	-	-	-	-	48
56	72,8	69,3	61,6	-	61,1	-	-	53,2	-	-	-	46,4	-	-	-	-	56
64	55,7	54,4	57,3	-	52,9	-	-	48,9	-	-	-	42,6	-	-	-	-	64
72	43,3	42,1	48,1	47,2	41,9	41,7	-	41,6	-	-	-	39,3	-	-	-	-	72
80	34,0	33,0	38,2	42,5	33,0	38,8	34,0	33,0	33,0	-	-	33,2	-	-	-	-	80
88	26,7	25,9	30,5	34,2	25,9	32,7	32,6	26,1	31,2	-	-	26,4	-	-	-	-	88
96	20,7	20,1	24,1	27,3	20,3	26,0	30,3	20,5	27,7	25,2	-	20,9	24,9	-	-	-	96
104	15,8	15,5	18,9	21,6	15,6	20,9	25,4	15,8	22,7	24,2	-	16,4	23,5	-	-	-	104
112	11,7	11,5	14,5	16,7	11,7	16,3	20,5	11,9	18,3	23,2	-	12,6	20,3	19,4	-	-	112
120	8,3	8,1	10,6	12,6	8,6	12,7	16,3	8,8	14,4	19,6	-	9,4	16,4	18,5	-	-	120
128	-	-	7,4	9,0	5,7	9,6	12,7	6,2	11,1	15,7	-	6,7	13,1	17,7	-	-	128
136	-	-	-	6,0	-	6,8	9,3	-	8,3	12,4	-	-	10,1	15,5	-	-	136
144	-	-	-	-	-	-	6,3	-	5,8	9,6	-	-	7,6	12,5	-	-	144
152	-	-	-	-	-	-	-	-	-	6,9	-	-	-	9,8	-	-	152
160	-	-	-	-	-	-	-	-	-	-	-	-	-	7,3	-	-	160
168	-	-	-	-	-	-	-	-	-	-	-	-	-	5,2	-	-	168



\* ☰ 264,600 lb



# HAV-SSL 0°






# AC 500-2






396,800 lb		31.6 ft x 31.5 ft												360°	85%
 183.7 ft															
ft	19.7 ft	39.4 ft			59.1 ft			78.7 ft			98.4 ft			ft	
	0°	0°	20°	40°	0°	20°	40°	0°	20°	40°	0°	20°	40°		
1,000 lb															
32	110,2	-	-	-	-	-	-	-	-	-	-	-	-	32	
36	110,2	-	-	-	-	-	-	-	-	-	-	-	-	36	
40	110,2	100,6	-	-	82,4	-	-	-	-	-	-	-	-	40	
48	110,2	98,9	-	-	81,4	-	-	65,9	-	-	54,6	-	-	48	
56	110,2	96,5	83,6	-	79,9	-	-	62,4	-	-	52,0	-	-	56	
64	108,2	93,5	79,9	66,2	77,8	57,1	-	59,1	-	-	49,4	-	-	64	
72	104,8	90,2	76,4	63,6	75,2	54,1	-	55,8	39,3	-	46,8	-	-	72	
80	101,3	86,4	72,6	61,1	72,2	51,4	41,0	52,7	37,6	-	44,4	-	-	80	
88	97,5	82,5	68,8	58,8	68,9	49,0	39,8	49,8	35,9	-	42,2	30,4	-	88	
96	93,6	78,6	65,2	56,8	65,6	46,7	38,5	47,0	34,4	28,5	39,9	29,1	-	96	
104	89,6	74,8	61,7	54,9	62,3	44,8	37,6	44,4	33,2	27,7	37,7	27,7	-	104	
112	85,5	70,8	58,5	53,0	58,9	42,9	36,6	42,0	31,9	27,1	35,8	26,6	21,8	112	
128	73,3	63,9	53,3	49,8	52,9	39,8	34,7	37,8	29,9	25,9	32,2	24,6	20,5	128	
144	61,3	57,7	49,5	47,2	47,7	37,3	33,3	34,5	28,0	24,9	29,2	23,0	19,4	144	
160	51,6	51,6	46,3	-	43,2	35,2	32,5	31,8	26,5	24,1	26,6	21,4	18,6	160	
168	47,4	47,4	45,0	-	41,2	34,3	32,1	30,6	25,8	23,7	25,7	20,7	18,2	168	
176	43,4	43,7	43,2	-	39,5	33,5	31,8	29,6	25,2	23,4	24,7	20,1	17,9	176	
184	-	40,2	41,1	-	37,9	32,8	-	28,6	24,7	23,1	23,8	19,6	17,6	184	
192	-	37,1	37,9	-	36,5	32,3	-	28,0	24,1	22,9	23,0	19,1	17,4	192	
200	-	33,7	-	-	34,9	31,9	-	27,2	23,7	-	22,3	18,5	17,1	200	
208	-	-	-	-	32,4	31,6	-	26,4	23,2	-	21,6	18,0	17,0	208	
216	-	-	-	-	29,6	30,7	-	25,8	22,7	-	21,0	17,7	16,8	216	
224	-	-	-	-	-	-	-	25,3	22,5	-	20,4	17,4	-	224	
232	-	-	-	-	-	-	-	24,6	22,2	-	19,8	17,1	-	232	
240	-	-	-	-	-	-	-	-	-	-	19,1	16,8	-	240	
248	-	-	-	-	-	-	-	-	-	-	18,6	16,6	-	248	
256	-	-	-	-	-	-	-	-	-	-	17,9	-	-	256	

220,500 lb		31.6 ft x 31.5 ft												360°	85%
 183.7 ft															
ft	19.7 ft	39.4 ft			59.1 ft			78.7 ft			98.4 ft			ft	
	0°	0°	20°	40°	0°	20°	40°	0°	20°	40°	0°	20°	40°		
1,000 lb															
32	110,2	-	-	-	-	-	-	-	-	-	-	-	-	32	
36	110,2	-	-	-	-	-	-	-	-	-	-	-	-	36	
40	110,2	100,6	-	-	82,4	-	-	-	-	-	-	-	-	40	
48	110,2	98,9	-	-	81,4	-	-	65,9	-	-	54,6	-	-	48	
56	110,2	96,5	83,6	-	79,9	-	-	62,4	-	-	52,0	-	-	56	
64	108,2	93,5	79,9	66,2	77,8	57,1	-	59,1	-	-	49,4	-	-	64	
72	104,8	90,2	76,4	63,6	75,2	54,1	-	55,8	39,3	-	46,8	-	-	72	
80	91,1	86,1	72,6	61,1	72,2	51,4	41,0	52,7	37,6	-	44,4	-	-	80	
88	77,2	77,6	68,8	58,8	68,9	49,0	39,8	49,8	35,9	-	42,2	30,4	-	88	
96	65,9	66,4	65,2	56,8	65,6	46,7	38,5	47,0	34,4	28,5	39,9	29,1	-	96	
104	56,7	57,1	60,2	54,9	58,4	44,8	37,6	44,4	33,2	27,7	37,7	27,7	-	104	
112	48,8	49,2	52,5	52,9	50,5	42,9	36,6	42,0	31,9	27,1	35,8	26,6	21,8	112	
128	36,2	36,6	39,5	41,5	37,9	39,8	34,7	37,8	29,9	25,9	32,2	24,6	20,5	128	
144	26,9	27,1	29,3	30,9	28,4	32,0	33,3	30,0	28,0	24,9	29,2	23,0	19,4	144	
152	23,1	23,3	25,4	26,5	24,6	27,9	29,8	26,2	27,2	24,5	26,8	22,2	19,0	152	
160	19,6	19,8	21,6	-	21,1	24,1	26,2	22,6	25,8	24,1	24,2	21,4	18,6	160	
168	16,6	16,8	18,3	-	18,0	20,7	22,4	19,5	23,0	23,7	21,1	20,7	18,2	168	
176	13,9	14,2	15,4	-	15,3	17,7	19,0	16,7	20,1	22,3	18,2	20,1	17,9	176	
184	-	11,6	12,7	-	12,7	14,9	-	14,0	17,1	19,3	15,6	19,5	17,6	184	
192	-	9,5	10,3	-	10,6	12,4	-	11,9	14,7	16,5	13,3	17,0	17,4	192	
200	-	7,4	-	-	8,5	10,0	-	9,8	12,4	-	11,2	14,6	16,4	200	
208	-	-	-	-	6,6	8,0	-	8,0	10,2	-	9,3	12,4	14,4	208	
216	-	-	-	-	5,0	6,1	-	6,3	8,1	-	7,4	10,3	12,1	216	
224	-	-	-	-	-	-	-	-	6,4	-	6,0	8,4	-	224	
232	-	-	-	-	-	-	-	-	-	-	-	6,6	-	232	

# HAV-SSL 30°

# AC 500-2

396,800 lb		31.6 ft x 31.5 ft		360°		85%	
 183.7 ft		 30°					
		39.4 ft 0°	59.1 ft 0°	78.7 ft 0°	98.4 ft 0°		
ft		1,000 lb					ft
40		107,7	92,0	-	-		40
48		103,6	86,9	71,1	61,6		48
56		99,1	82,1	65,0	56,2		56
64		94,1	77,3	59,7	51,4		64
72		88,7	72,6	55,0	47,3		72
80		83,4	68,3	51,0	43,8		80
88		78,0	64,1	47,6	40,7		88
96		72,8	60,2	44,5	38,0		96
104		67,8	56,6	42,2	35,8		104
112		63,0	53,2	39,8	33,6		112
120		59,0	50,0	37,9	32,0		120
128		55,2	47,2	36,0	30,4		128
136		51,9	44,6	34,4	29,0		136
144		48,6	42,2	32,9	27,6		144
152		45,7	40,1	31,6	26,4		152
160		42,8	38,0	30,2	25,2		160
168		40,3	36,1	28,9	24,2		168
176		37,7	34,2	27,7	23,2		176
184		35,2	32,3	26,6	22,2		184
192		32,8	30,6	25,7	21,4		192
200		30,2	28,9	24,7	20,5		200
208		-	26,9	23,6	19,8		208
216		-	25,0	22,7	19,1		216
224		-	-	21,7	18,4		224
232		-	-	20,6	17,8		232
240		-	-	-	16,9		240
248		-	-	-	16,4		248

220,500 lb		31.6 ft x 31.5 ft		360°		85%	
 183.7 ft		 30°					
		39.4 ft 0°	59.1 ft 0°	78.7 ft 0°	98.4 ft 0°		
ft		1,000 lb					ft
40		107,7	92,0	-	-		40
48		103,6	86,9	71,1	61,6		48
56		99,1	82,1	65,0	56,2		56
64		94,1	77,3	59,7	51,4		64
72		88,7	72,6	55,0	47,3		72
80		83,4	68,3	51,0	43,8		80
88		76,5	64,1	47,6	40,7		88
96		66,4	60,2	44,5	38,0		96
104		57,1	56,6	42,2	35,8		104
112		49,2	50,5	39,8	33,6		112
120		42,4	43,9	37,9	32,0		120
128		36,6	37,9	36,0	30,4		128
136		31,7	33,0	33,3	29,0		136
144		27,1	28,4	29,9	27,6		144
152		23,3	24,6	26,2	26,1		152
160		19,8	21,1	22,6	24,2		160
168		16,8	18,0	19,5	21,1		168
176		14,2	15,3	16,7	18,2		176
184		11,6	12,7	14,0	15,6		184
192		9,5	10,6	11,9	13,3		192
200		7,3	8,4	9,7	11,3		200
208		-	6,6	7,9	9,3		208
216		-	5,0	6,3	7,4		216
224		-	-	-	6,0		224



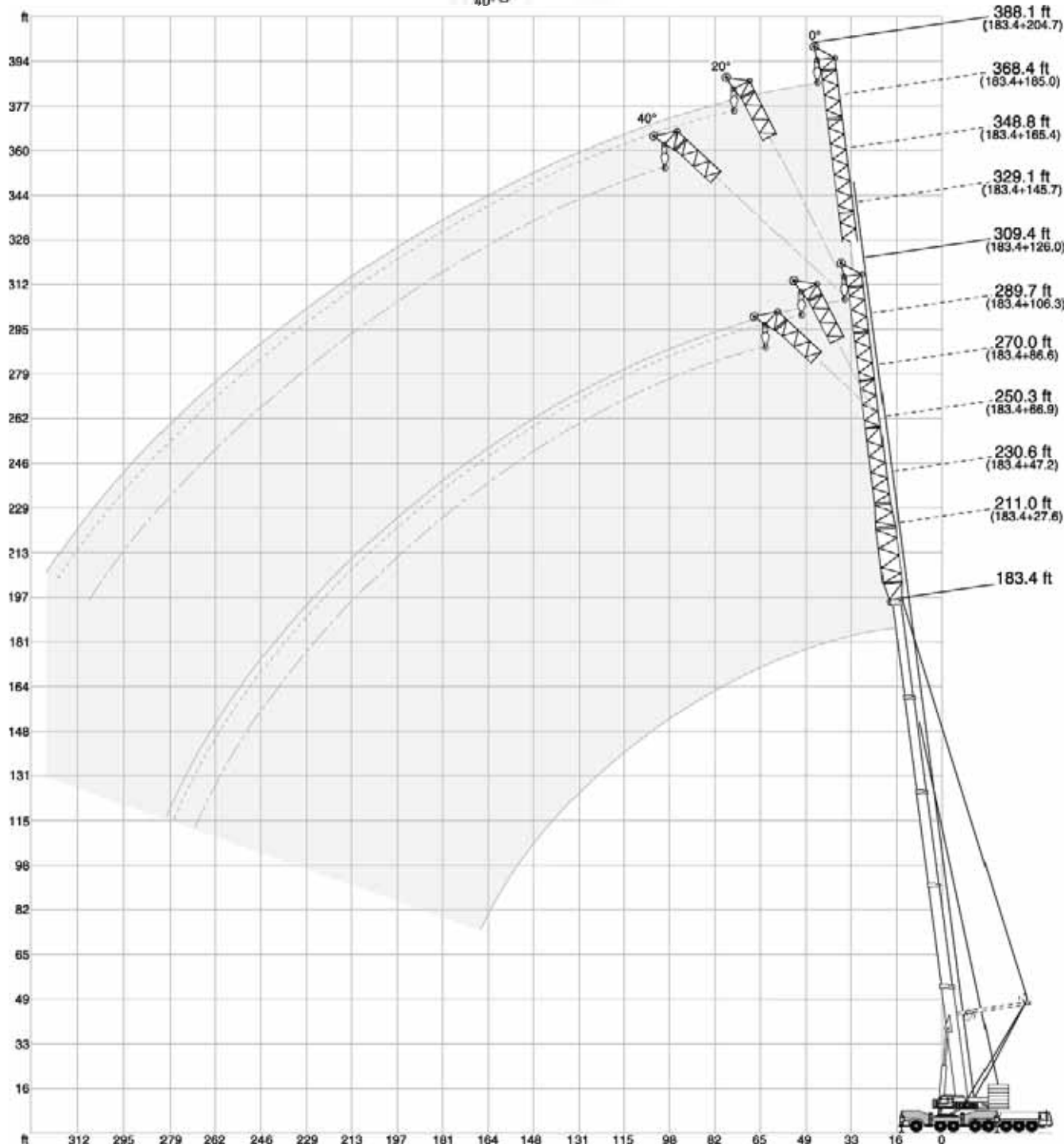
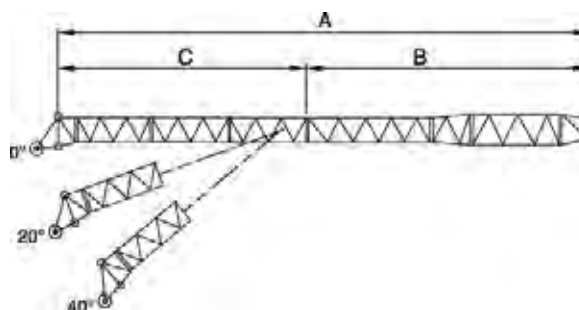


# LF / LF-SSL

# AC 500-2

A	B	C
0° / 20° / 40°		
86.6 ft	48.9 ft	37.7 ft
106.3 ft	48.9 ft	57.4 ft
126.0 ft	68.6 ft	57.4 ft
145.7 ft	68.6 ft	77.0 ft
165.4 ft	88.2 ft	77.0 ft
185.0 ft	88.2 ft	96.8 ft
204.7 ft	107.9 ft	96.8 ft

(27.6 ft, 47.2 ft and 66.9 ft only 0°)



# LF

# AC 500-2

88,200 lb 132,300 lb 176,400 lb **220,500 lb** 264,600 lb 308,700 lb **352,800 lb** 31.6 ft x 31.5 ft 360° 85%

**183.4 ft**

ft	27.6 ft			47.2 ft			66.9 ft			86.6 ft			106.3 ft			126.0 ft			ft
	0°	20°	40°	0°	20°	40°	0°	20°	40°	0°	20°	40°	0°	20°	40°	0°	20°	40°	
	1,000 lb																		
48	88,0			74,9			-			-			-			-			48
56	78,2			67,1			60,1			50,6			-			-			56
64	70,0			60,4			54,8			46,1			-			40,7			64
72	62,8			54,4			49,9			42,0	38,0	-				37,1			72
80	57,2			49,5			45,9			38,6	35,1	33,2				34,1	30,1	-	80
88	52,1			45,0			42,0			35,4	32,5	31,0				31,3	27,9	-	88
96	47,6			41,1			38,5			32,6	30,2	28,9				28,8	26,0	24,3	96
104	44,0			37,7			35,5			30,1	28,2	27,1				26,6	24,2	22,9	104
112	40,6			34,7			32,7			27,7	26,4	25,3				24,6	22,6	21,3	112
120	37,7			32,1			30,4			25,8	24,8	23,9				22,8	21,1	20,2	120
128	34,9			29,8			28,3			24,0	23,1	22,4				21,2	19,7	19,0	128
136	32,5			27,6			26,2			22,4	21,7	21,2				19,7	18,5	17,9	136
144	30,4			25,8			24,5			20,9	20,3	19,9				18,5	17,5	16,8	144
152	28,4			24,0			22,9			19,4	19,1	18,8				17,3	16,4	15,9	152
160	26,7			22,4			21,5			18,1	17,9	17,8				16,0	15,4	15,0	160
168	24,9			20,9			20,1			16,8	16,7	16,8				14,9	14,4	14,2	168
176	23,2			19,6			18,9			15,6	15,7	15,9				13,8	13,6	13,4	176
184	21,4			18,4			17,9			14,6	14,7	15,0				12,9	12,8	12,8	184
192	19,7			17,2			17,0			13,7	13,7	13,9				11,9	12,0	12,0	192
200	17,9			16,1			16,1			12,8	12,7	12,8				11,0	11,1	11,3	200
208	-			15,0			15,2			11,9	11,9	-				10,3	10,3	10,5	208
216	-			13,7			14,4			11,1	11,2	-				9,5	9,6	9,8	216
224	-			-			13,6			10,5	10,5	-				8,9	9,0	-	224
232	-			-			12,8			9,8	9,8	-				8,2	8,4	-	232
240	-			-			-			9,2	9,2	-				7,7	7,9	-	240
248	-			-			-			8,7	-	-				7,1	7,4	-	248
256	-			-			-			8,2	-	-				6,6	6,8	-	256
264	-			-			-			-	-	-				6,3	6,3	-	264
272	-			-			-			-	-	-				5,8	-	-	272

ft	145.7 ft			165.4 ft			185.0 ft			204.7 ft			ft
	0°	20°	40°	0°	20°	40°	0°	20°	40°	0°	20°	40°	
	1,000 lb												
72	29,4	-	-	-	-	-	-	-	-	-	-	-	72
80	27,0	-	-	23,7	-	-	20,9	-	-	-	-	-	80
88	24,7	-	-	21,6	-	-	19,3	-	-	-	16,7	-	88
96	22,7	20,6	-	19,8	-	-	17,7	-	-	-	15,2	-	96
104	20,8	19,1	-	18,1	16,9	-	16,2	-	-	-	13,8	-	104
112	19,1	17,8	16,7	16,5	15,6	-	14,7	13,6	-	-	12,5	-	112
120	17,6	16,5	15,6	15,1	14,5	14,1	13,4	12,5	-	-	11,3	10,8	120
128	16,3	15,3	14,7	13,8	13,4	13,0	12,1	11,6	-	-	10,1	9,9	128
136	15,0	14,2	13,7	12,6	12,4	12,1	11,0	10,7	10,5	-	9,1	9,0	136
144	13,9	13,3	12,8	11,6	11,3	11,3	10,1	9,7	9,7	-	8,0	8,2	144
152	12,9	12,3	12,0	10,7	10,5	10,5	9,1	8,9	8,9	-	6,9	7,4	152
160	11,9	11,4	11,2	9,7	9,7	9,7	8,2	8,1	8,2	-	6,1	6,6	160
168	11,1	10,6	10,4	8,9	8,9	8,9	7,4	7,3	7,5	-	5,4	5,8	168
176	10,3	9,9	9,7	8,3	8,1	8,1	6,7	6,7	6,9	-	4,7	5,1	176
184	9,5	9,2	9,0	7,6	7,5	7,5	6,0	6,2	6,4	-	-	-	184
192	8,7	8,6	8,5	6,9	6,8	6,9	5,4	5,5	5,6	-	-	-	192
200	7,9	7,9	7,9	6,2	6,2	6,4	4,9	4,9	5,1	-	-	-	200
208	7,3	7,3	7,4	5,6	5,6	5,9	-	-	4,7	-	-	-	208
216	6,7	6,8	6,9	5,1	5,1	5,3	-	-	-	-	-	-	216
224	6,1	6,3	6,3	-	-	4,8	-	-	-	-	-	-	224
232	5,6	5,8	5,8	-	-	-	-	-	-	-	-	-	232
240	5,0	5,3	5,5	-	-	-	-	-	-	-	-	-	240
248	4,7	4,7	4,9	-	-	-	-	-	-	-	-	-	248



# LF-SSL 0°/30°

# AC 500-2

176,400 lb 220,500 lb 264,600 lb 308,700 lb 352,800 lb 31.6 ft x 31.5 ft 360° 85%



ft	27.6 ft			47.2 ft			66.9 ft			86.6 ft			106.3 ft			126.0 ft			ft
	0°	20°	40°	0°	20°	40°	0°	20°	40°	0°	20°	40°	0°	20°	40°	0°	20°	40°	
40	157,7*	-	-	-	-	-	-	-	-	-	-	-	-	-	-	-	-	-	40
48	142,8*	-	-	120,0*	-	-	101,0*	-	-	-	-	-	-	-	-	-	-	-	48
56	129,0*	-	-	108,4*	-	-	91,4*	-	-	-	-	-	-	-	-	-	-	-	56
64	116,8*	-	-	98,3*	-	-	83,2*	-	-	-	-	-	-	-	-	-	-	-	64
72	105,8*	-	-	89,7*	-	-	76,2*	-	-	78,4*	-	-	68,1*	-	-	-	-	-	72
80	96,3*	-	-	82,5*	-	-	70,5*	-	-	60,0*	54,8	-	52,3*	38,2	-	-	-	-	80
88	89,6*	-	-	75,9*	-	-	65,3*	-	-	55,3*	44,7	39,4	48,2*	35,9	30,9	-	-	-	88
96	84,1*	-	-	70,1*	-	-	60,9*	-	-	51,3*	42,0	37,5	44,5*	33,7	29,7	-	-	-	96
104	79,1*	-	-	65,3*	-	-	57,1*	-	-	47,8*	39,7	35,7	41,5*	31,8	28,4	-	-	-	104
112	74,2*	-	-	61,3*	-	-	53,6*	-	-	44,6*	37,4	33,9	38,7*	29,9	27,3	-	-	-	112
120	68,6*	-	-	58,0*	-	-	50,5*	-	-	42,1*	35,5	32,4	36,2*	28,3	26,1	-	-	-	120
128	62,7*	-	-	54,8*	-	-	47,4*	-	-	39,6*	33,7	31,0	34,1*	26,7	24,8	-	-	-	128
144	51,2*	-	-	49,3*	-	-	41,5*	-	-	35,3*	30,6	28,4	30,5*	23,9	22,5	-	-	-	144
160	42,0*	-	-	42,8*	-	-	37,3*	-	-	31,4*	27,9	26,1	27,4*	21,6	20,5	-	-	-	160
176	34,1*	-	-	35,2*	-	-	34,2*	-	-	27,8*	25,5	24,2	24,9*	19,8	18,7	-	-	-	176
184	30,6*	-	-	31,7*	-	-	32,8*	-	-	26,2*	24,5	23,2	23,7*	18,9	17,8	-	-	-	184
192	27,4*	-	-	28,4*	-	-	31,3*	-	-	24,6*	23,6	22,4	22,5*	18,2	17,1	-	-	-	192
200	24,1*	-	-	25,4*	-	-	29,4*	-	-	23,4*	22,7	-	21,4*	17,6	16,5	-	-	-	200
208	-	-	-	22,8*	-	-	26,5*	-	-	22,5*	21,8	-	20,3*	17,1	16,1	-	-	-	208
216	-	-	-	20,2*	-	-	24,0*	-	-	21,7*	21,0	-	19,3*	16,6	-	-	-	-	216
224	-	-	-	-	-	-	21,7*	-	-	20,4*	20,2	-	18,3*	16,2	-	-	-	-	224
232	-	-	-	-	-	-	19,5*	-	-	18,8*	19,1	-	17,3*	15,8	-	-	-	-	232
240	-	-	-	-	-	-	-	-	-	17,0*	17,4	-	16,2*	15,4	-	-	-	-	240
248	-	-	-	-	-	-	-	-	-	15,2*	-	-	15,1*	14,9	-	-	-	-	248
256	-	-	-	-	-	-	-	-	-	-	-	-	13,9*	14,5	-	-	-	-	256
264	-	-	-	-	-	-	-	-	-	-	-	-	12,4*	-	-	-	-	-	264
272	-	-	-	-	-	-	-	-	-	-	-	-	11,0*	-	-	-	-	-	272
280	-	-	-	-	-	-	-	-	-	-	-	-	-	-	-	-	-	-	280
288	-	-	-	-	-	-	-	-	-	-	-	-	-	-	-	-	-	-	288

ft	145.7 ft			165.4 ft			185.0 ft			204.7 ft			ft
	0°	20°	40°	0°	20°	40°	0°	20°	40°	0°	20°	40°	
64	48,0*	-	-	-	-	-	-	-	-	-	-	-	64
72	44,2*	-	-	39,1*	-	-	-	-	-	-	-	-	72
80	40,7*	-	-	36,1*	-	-	-	32,2*	-	-	-	-	80
88	37,4*	26,3	-	33,3*	-	-	-	29,7*	-	-	-	-	88
96	34,6*	25,1	-	30,8*	23,2	-	-	27,4*	-	-	-	-	96
104	32,0*	23,8	-	28,4*	21,8	-	-	25,3*	-	-	-	-	104
112	29,7*	22,6	19,4	26,1*	20,4	18,0	-	23,3*	18,2	-	-	-	112
120	27,8*	21,4	18,7	24,4*	19,2	17,1	-	21,7*	17,2	-	-	-	120
128	26,0*	20,3	18,0	22,7*	18,1	16,2	-	20,1*	16,1	-	-	-	128
136	24,4*	19,2	17,2	21,1*	17,0	15,3	-	18,6*	15,0	13,6	-	-	136
144	23,0*	18,2	16,5	19,8*	16,0	14,6	-	17,4*	14,0	12,8	-	-	144
160	20,5*	16,3	15,1	17,5*	14,1	13,1	-	15,1*	12,3	11,4	-	-	160
176	18,2*	14,7	14,0	15,6*	12,7	11,8	-	13,3*	10,7	10,0	-	-	176
192	16,6*	13,3	12,9	13,7*	11,3	10,7	-	11,8*	9,3	8,7	-	-	192
200	15,8*	12,8	12,4	13,0*	10,6	10,2	-	11,1*	8,5	8,2	-	-	200
208	15,0*	12,3	11,8	12,3*	10,1	9,7	-	10,4*	7,8	7,5	-	-	208
216	14,2*	11,7	11,5	11,5*	9,5	9,3	-	9,7*	7,3	6,9	-	-	216
224	13,5*	11,2	11,0	11,0*	9,0	8,8	-	9,1*	6,6	6,3	-	-	224
232	12,8*	10,7	10,5	10,4*	8,4	8,5	-	8,4*	6,0	5,8	-	-	232
240	12,1*	10,3	10,1	9,8*	7,9	8,1	-	8,0*	5,5	5,1	-	-	240
248	11,5*	10,0	-	9,1*	7,5	7,6	-	7,6*	4,9	4,5	-	-	248
256	10,8*	9,7	-	8,6*	7,0	7,3	-	7,0*	-	-	-	-	256
264	10,1*	9,2	-	8,2*	6,5	-	-	6,5*	-	-	-	-	264
272	9,5*	8,9	-	7,7*	6,0	-	-	6,1*	-	-	-	-	272
280	8,9*	8,6	-	7,2*	5,7	-	-	5,7*	-	-	-	-	280
288	8,1*	8,3	-	6,7*	5,1	-	-	5,2*	-	-	-	-	288
296	7,2*	7,9	-	6,1*	-	-	-	-	-	-	-	-	296
304	6,1*	-	-	5,6*	-	-	-	-	-	-	-	-	304
312	5,0*	-	-	-	-	-	-	-	-	-	-	-	312



# LF

# AC 500-2

88,200 lb 132,300 lb 176,400 lb **220,500 lb** 264,600 lb 308,700 lb **352,800 lb** 31.6 ft x 31.5 ft 360° 85%

**169.9 ft**

ft	27.6 ft		47.2 ft		66.9 ft		86.6 ft			106.3 ft			126.0 ft			ft	
	0°	0°	0°	0°	0°	20°	40°	0°	20°	40°	0°	20°	40°	0°	20°		40°
40	116,6	-	-	-	-	-	-	-	-	-	-	-	-	-	-	-	40
48	103,0	86,7	74,1	-	-	-	-	-	-	-	-	-	-	-	-	-	48
56	91,4	78,0	67,1	58,0	-	-	-	-	-	-	50,3	-	-	-	-	-	56
64	81,9	70,4	60,9	52,7	46,0	-	-	-	-	-	45,8	-	-	40,4	-	-	64
72	73,8	63,9	55,5	47,9	42,4	-	-	-	-	-	41,8	-	-	36,9	-	-	72
80	67,6	58,5	51,0	43,9	39,2	36,9	-	-	-	-	38,3	33,7	-	33,8	30,3	-	80
88	61,9	53,4	46,9	40,2	36,4	34,5	-	-	-	-	35,0	31,2	-	30,9	27,9	-	88
96	57,0	49,0	43,6	37,1	33,9	32,2	-	-	-	-	32,3	29,1	27,2	28,3	26,0	24,6	96
104	52,7	45,3	40,7	34,4	31,6	30,2	-	-	-	-	29,9	27,1	25,6	26,2	24,2	23,1	104
112	48,5	41,9	38,0	31,9	29,5	28,3	-	-	-	-	27,7	25,3	24,2	24,2	22,4	21,5	112
120	45,0	39,0	35,7	29,8	27,8	27,0	-	-	-	-	25,8	23,9	22,8	22,4	21,0	20,2	120
136	38,8	33,8	31,5	26,4	24,8	24,0	-	-	-	-	22,6	21,1	20,3	19,3	18,2	17,9	136
152	33,7	30,0	28,0	23,4	22,2	21,8	-	-	-	-	19,9	18,8	18,3	16,8	16,1	15,9	152
168	29,8	26,6	24,9	20,9	20,0	19,9	-	-	-	-	17,8	16,8	16,6	14,7	14,2	14,0	168
176	28,2	25,1	23,6	19,8	19,0	19,0	-	-	-	-	16,7	16,0	15,8	13,8	13,3	13,2	176
184	26,8	23,8	22,5	18,7	18,1	18,1	-	-	-	-	15,8	15,2	15,0	12,9	12,5	12,5	184
192	-	22,4	21,4	17,9	17,2	-	-	-	-	-	15,0	14,5	14,4	12,2	11,9	11,8	192
200	-	21,1	20,3	16,9	16,4	-	-	-	-	-	14,2	13,8	13,7	11,5	11,1	11,3	200
208	-	-	19,5	16,2	15,6	-	-	-	-	-	13,6	13,1	-	10,7	10,5	10,7	208
216	-	-	18,6	15,3	14,9	-	-	-	-	-	12,8	12,5	-	10,2	10,0	10,2	216
224	-	-	17,7	14,5	14,2	-	-	-	-	-	12,3	11,8	-	9,6	9,4	-	224
232	-	-	-	13,9	13,5	-	-	-	-	-	11,5	11,3	-	9,1	8,9	-	232
240	-	-	-	13,1	-	-	-	-	-	-	11,0	11,0	-	8,6	8,4	-	240
248	-	-	-	-	-	-	-	-	-	-	10,5	10,5	-	8,1	8,0	-	248
256	-	-	-	-	-	-	-	-	-	-	9,9	-	-	7,7	7,7	-	256
264	-	-	-	-	-	-	-	-	-	-	9,6	-	-	7,4	7,2	-	264
272	-	-	-	-	-	-	-	-	-	-	-	-	-	6,9	-	-	272
280	-	-	-	-	-	-	-	-	-	-	-	-	-	6,5	-	-	280

ft	145.7 ft			165.4 ft			185.0 ft			204.7 ft			ft
	0°	20°	40°	0°	20°	40°	0°	20°	40°	0°	20°	40°	
64	36,5	-	-	-	-	-	-	-	-	-	-	-	64
72	33,4	-	-	29,6	-	-	-	-	-	-	-	-	72
80	30,7	-	-	27,2	-	-	24,4	-	-	21,3	-	-	80
88	28,1	-	-	24,8	-	-	22,3	-	-	19,5	-	-	88
96	25,8	23,2	-	22,7	21,0	-	20,4	-	-	17,7	-	-	96
104	23,7	21,6	-	20,8	19,4	-	18,6	-	-	16,2	-	-	104
112	21,7	20,0	18,9	19,1	18,0	-	16,9	15,8	-	14,7	14,0	-	112
120	20,1	18,6	17,8	17,6	16,7	16,1	15,6	14,7	-	13,4	13,0	-	120
128	18,6	17,4	16,7	16,2	15,4	15,0	14,3	13,7	-	12,1	11,9	-	128
136	17,3	16,3	15,7	14,9	14,4	13,9	13,1	12,6	12,2	11,0	10,9	10,9	136
152	15,1	14,3	13,9	12,7	12,3	12,2	10,9	10,7	10,5	8,9	9,0	9,2	152
168	13,0	12,6	12,2	11,1	10,6	10,6	9,1	9,1	9,1	7,3	7,3	7,7	168
176	12,2	11,8	11,5	10,3	9,9	9,9	8,5	8,4	8,4	6,5	6,6	7,0	176
184	11,5	11,0	10,8	9,5	9,2	9,2	7,8	7,7	7,7	5,8	5,9	6,4	184
192	10,7	10,3	10,2	8,7	8,6	8,5	7,2	7,0	7,2	5,2	5,4	5,6	192
200	10,0	9,7	9,7	8,0	7,9	7,9	6,6	6,4	6,6	4,6	4,9	5,1	200
208	9,4	9,2	9,2	7,4	7,4	7,4	6,1	5,9	6,1	-	-	4,5	208
216	8,9	8,6	8,6	6,9	6,9	6,9	5,5	5,4	5,5	-	-	-	216
224	8,3	8,1	8,1	6,3	6,3	6,3	5,2	5,0	5,0	-	-	-	224
232	7,8	7,6	7,7	5,8	5,8	5,9	-	-	4,6	-	-	-	232
240	7,2	7,1	7,2	5,4	5,3	5,5	-	-	-	-	-	-	240
248	6,7	6,7	-	4,9	4,9	5,1	-	-	-	-	-	-	248
256	6,4	6,4	-	-	-	-	-	-	-	-	-	-	256
264	6,0	5,9	-	-	-	-	-	-	-	-	-	-	264
272	5,6	5,6	-	-	-	-	-	-	-	-	-	-	272
280	5,4	5,4	-	-	-	-	-	-	-	-	-	-	280
288	5,1	5,1	-	-	-	-	-	-	-	-	-	-	288
296	4,8	-	-	-	-	-	-	-	-	-	-	-	296



# LF-SSL 0°/30°

# AC 500-2

176,400 lb 220,500 lb 264,600 lb 308,700 lb 352,800 lb 31.6 ft x 31.5 ft 360° 85%



ft	27.6 ft			47.2 ft			66.9 ft			86.6 ft			106.3 ft			126.0 ft			ft	
	0°	20°	40°	0°	20°	40°	0°	20°	40°	0°	20°	40°	0°	20°	40°	0°	20°	40°		
1,000 lb																				
36	173,0*	-	-	-	-	-	-	-	-	-	-	-	-	-	-	-	-	-	36	
40	164,8*	144,8*	-	125,7*	-	-	-	-	-	-	-	-	-	-	-	-	-	-	40	
48	149,7*	131,3*	-	113,0*	94,6*	-	-	-	-	-	-	-	78,9*	-	-	-	-	-	48	
56	135,7*	119,0*	-	102,0*	86,2*	65,1	-	-	-	-	-	-	72,4*	-	-	-	63,8*	-	56	
64	123,1*	108,2*	-	92,2*	78,8*	60,4	-	-	-	-	-	-	66,6*	-	-	-	59,0*	-	64	
72	115,2*	98,5*	-	84,0*	72,2*	56,1	48,8	-	-	-	-	-	61,4*	45,0	-	-	54,5*	-	72	
80	108,6*	90,7*	-	77,2*	66,7*	52,4	46,2	-	-	-	-	-	57,0*	42,1	-	-	50,6*	38,4	80	
88	102,2*	85,0*	-	71,0*	61,6*	49,0	43,7	-	-	-	-	-	52,8*	39,5	34,7	-	46,9*	35,9	31,2	88
96	96,0*	79,5*	-	66,6*	57,1*	46,0	41,4	-	-	-	-	-	49,2*	37,1	33,3	-	43,6*	33,6	29,7	96
104	87,4*	74,5*	-	62,4*	53,2*	43,3	39,4	-	-	-	-	-	46,0*	34,9	31,7	-	40,7*	31,6	28,4	104
120	70,0*	65,8*	-	55,0*	46,6*	38,7	35,6	-	-	-	-	-	40,5*	30,9	28,9	-	35,6*	27,9	25,6	120
136	56,7*	57,6*	-	48,7*	41,1*	35,0	32,5	-	-	-	-	-	36,0*	27,5	25,9	-	31,5*	24,6	23,2	136
152	46,6*	47,7*	-	44,0*	36,5*	31,8	29,8	-	-	-	-	-	32,2*	24,5	23,4	-	28,0*	22,1	21,0	152
168	38,3*	39,4*	-	40,2*	32,4*	28,9	27,5	-	-	-	-	-	28,8*	22,5	21,4	-	25,1*	19,8	18,9	168
176	34,5*	35,6*	-	38,6*	30,7*	27,7	26,4	-	-	-	-	-	27,3*	21,5	20,4	-	23,8*	18,9	18,0	176
184	-	32,1*	-	36,0*	29,0*	26,6	-	-	-	-	-	-	25,7*	20,7	19,6	-	22,5*	18,1	17,2	184
192	-	28,9*	-	32,9*	28,0*	25,6	-	-	-	-	-	-	24,4*	19,9	18,8	-	21,4*	17,2	16,4	192
200	-	26,1*	-	29,9*	27,2*	24,5	-	-	-	-	-	-	23,1*	19,4	18,3	-	20,3*	16,4	15,6	200
208	-	-	-	27,2*	25,9*	23,5	-	-	-	-	-	-	21,8*	18,9	-	-	19,2*	15,7	14,8	208
216	-	-	-	24,6*	24,1*	22,6	-	-	-	-	-	-	20,8*	18,3	-	-	18,1*	15,0	14,2	216
224	-	-	-	-	21,8*	21,6	-	-	-	-	-	-	20,0*	17,8	-	-	17,3*	14,4	-	224
232	-	-	-	-	19,7*	-	-	-	-	-	-	-	19,3*	17,3	-	-	16,3*	13,7	-	232
240	-	-	-	-	17,7*	-	-	-	-	-	-	-	18,1*	16,9	-	-	15,3*	13,2	-	240
248	-	-	-	-	-	-	-	-	-	-	-	-	16,5*	16,4	-	-	14,6*	12,5	-	248
256	-	-	-	-	-	-	-	-	-	-	-	-	14,8*	-	-	-	14,1*	11,9	-	256
264	-	-	-	-	-	-	-	-	-	-	-	-	-	-	-	-	12,7*	11,4	-	264
272	-	-	-	-	-	-	-	-	-	-	-	-	-	-	-	-	11,4*	-	-	272

ft	145.7 ft			165.4 ft			185.0 ft			204.7 ft			ft
	0°	20°	40°	0°	20°	40°	0°	20°	40°	0°	20°	40°	
1,000 lb													
56	55,9*	-	-	-	-	-	-	-	-	-	-	56	
64	51,7*	-	-	45,6*	-	-	-	-	-	-	-	64	
72	47,9*	-	-	42,8*	-	-	-	39,1*	-	-	-	72	
80	44,6*	-	-	40,0*	-	-	-	36,1*	-	-	32,2*	80	
88	41,4*	29,3	-	37,3*	27,4	-	-	33,3*	-	-	29,7*	88	
96	38,6*	27,8	-	34,9*	25,6	-	-	30,8*	-	-	27,4*	96	
104	35,9*	26,4	22,8	32,6*	24,0	-	-	28,5*	21,6	-	25,3*	104	
112	33,4*	25,1	21,8	30,3*	22,4	20,0	-	26,3*	20,2	-	23,3*	112	
120	31,4*	23,7	20,8	28,3*	21,1	18,9	-	24,5*	18,9	-	21,5*	120	
128	29,4*	22,4	19,9	26,3*	19,8	17,9	-	22,7*	17,6	16,0	19,9*	128	
136	27,5*	21,0	19,1	24,5*	18,6	16,9	-	21,1*	16,6	15,0	18,4*	136	
144	26,0*	19,9	18,3	22,9*	17,4	16,0	-	19,7*	15,5	14,1	17,0*	144	
160	23,0*	17,9	16,7	19,9*	15,2	14,3	-	17,3*	13,5	12,5	14,8*	160	
176	20,5*	16,0	15,3	17,4*	13,6	12,9	-	15,3*	11,6	10,9	12,9*	176	
192	18,3*	14,4	14,2	15,5*	12,0	11,6	-	13,7*	10,2	9,6	11,3*	192	
200	17,4*	13,9	13,5	14,5*	11,3	11,0	-	12,9*	9,4	8,9	10,5*	200	
208	16,4*	13,3	12,9	13,7*	10,7	10,5	-	12,2*	8,7	8,2	9,8*	208	
216	15,5*	12,6	12,4	13,1*	10,2	10,0	-	11,5*	8,0	7,5	9,1*	216	
224	14,7*	12,2	11,8	12,3*	9,6	9,4	-	10,7*	7,4	7,0	8,5*	224	
232	13,9*	11,7	11,3	11,7*	9,1	9,0	-	10,2*	6,9	6,5	8,0*	232	
240	13,2*	11,2	-	11,0*	8,7	8,6	-	9,7*	6,2	5,8	7,5*	240	
248	12,5*	10,8	-	10,5*	8,2	8,2	-	9,1*	5,6	5,2	6,9*	248	
256	11,7*	10,4	-	9,9*	7,9	-	-	8,6*	5,1	-	6,4*	256	
264	11,0*	10,0	-	9,4*	7,4	-	-	8,1*	4,5	-	6,0*	264	
272	10,4*	9,6	-	8,8*	6,9	-	-	7,5*	-	-	5,5*	272	
280	10,1*	9,1	-	8,3*	6,5	-	-	7,0*	-	-	5,1*	280	
288	9,2*	-	-	7,8*	6,0	-	-	6,6*	-	-	4,7*	288	
296	8,3*	-	-	7,2*	5,5	-	-	6,1*	-	-	-	296	
304	-	-	-	6,6*	-	-	-	5,6*	-	-	-	304	
312	-	-	-	5,8*	-	-	-	5,1*	-	-	-	312	
320	-	-	-	-	-	-	-	4,7*	-	-	-	320	



# LF

# AC 500-2

88,200 lb 132,300 lb 176,400 lb **220,500 lb** 264,600 lb 308,700 lb **352,800 lb** 31.6 ft x 31.5 ft 360° 85%

**139.4 ft**

ft	27.6 ft			47.2 ft			66.9 ft			86.6 ft			106.3 ft			126.0 ft			ft
	0°	20°	40°	0°	20°	40°	0°	20°	40°	0°	20°	40°	0°	20°	40°	0°	20°	40°	
	1,000 lb																		
36	162,8	-	-	-	-	-	-	-	-	-	-	-	-	-	-	-	-	-	36
40	150,7	-	-	136,3	-	-	107,0	-	-	-	-	-	-	-	-	-	-	-	40
48	130,7	-	-	118,3	-	-	98,9	94,4	-	-	-	-	-	-	-	-	-	-	48
56	114,7	-	-	103,7	-	-	91,3	84,6	69,8	-	-	-	74,1	-	-	-	64,9	-	56
64	101,7	-	-	91,6	-	-	83,7	76,1	66,0	-	-	-	68,6	-	-	-	60,4	-	64
72	91,3	-	-	81,8	-	-	76,7	68,7	62,3	54,7	-	-	63,2	47,9	-	-	56,1	-	72
80	83,2	-	-	74,3	-	-	70,2	62,7	58,5	52,4	-	-	58,3	45,2	39,2	-	52,2	43,4	80
88	75,7	-	-	67,5	-	-	64,0	57,1	54,6	50,0	-	-	53,6	42,8	37,7	-	48,4	40,9	88
96	69,4	-	-	61,9	-	-	58,4	52,4	51,0	47,5	-	-	49,2	40,3	36,2	-	44,8	38,4	96
104	63,8	-	-	56,9	-	-	53,6	48,3	47,4	45,1	-	-	45,2	38,2	34,8	-	41,5	36,4	104
120	54,5	-	-	48,4	-	-	45,6	41,3	41,0	40,2	-	-	38,3	34,2	31,9	-	35,6	32,5	120
136	46,9	-	-	41,7	-	-	39,6	35,7	35,6	35,5	-	-	32,8	30,5	29,2	-	30,7	29,3	136
144	43,6	-	-	39,1	-	-	37,4	33,3	33,2	33,4	-	-	30,5	28,7	27,8	-	28,6	27,8	144
152	40,3	-	-	36,7	-	-	35,2	31,1	31,1	31,4	-	-	28,4	27,1	26,5	-	26,6	26,2	152
160	-	-	-	34,6	-	-	33,4	29,2	29,2	29,4	-	-	26,7	25,5	25,2	-	24,8	24,7	160
168	-	-	-	32,6	-	-	31,7	27,5	27,3	-	-	-	25,1	24,1	24,0	-	23,3	23,4	168
176	-	-	-	30,9	-	-	30,2	26,0	25,6	-	-	-	23,8	22,7	22,8	-	21,8	21,9	176
184	-	-	-	-	-	-	28,6	24,5	24,0	-	-	-	22,7	21,3	-	-	20,5	20,5	184
192	-	-	-	-	-	-	27,0	23,1	22,4	-	-	-	21,6	20,3	-	-	19,2	19,3	192
200	-	-	-	-	-	-	-	22,1	20,7	-	-	-	20,5	19,2	-	-	18,1	18,0	200
208	-	-	-	-	-	-	-	21,0	-	-	-	-	19,4	18,3	-	-	17,1	16,8	208
216	-	-	-	-	-	-	-	-	-	-	-	-	18,6	17,5	-	-	16,2	15,7	216
224	-	-	-	-	-	-	-	-	-	-	-	-	17,5	-	-	-	15,3	14,7	224
232	-	-	-	-	-	-	-	-	-	-	-	-	16,4	-	-	-	14,5	13,9	232
240	-	-	-	-	-	-	-	-	-	-	-	-	-	-	-	-	13,5	-	240
248	-	-	-	-	-	-	-	-	-	-	-	-	-	-	-	-	12,8	-	248

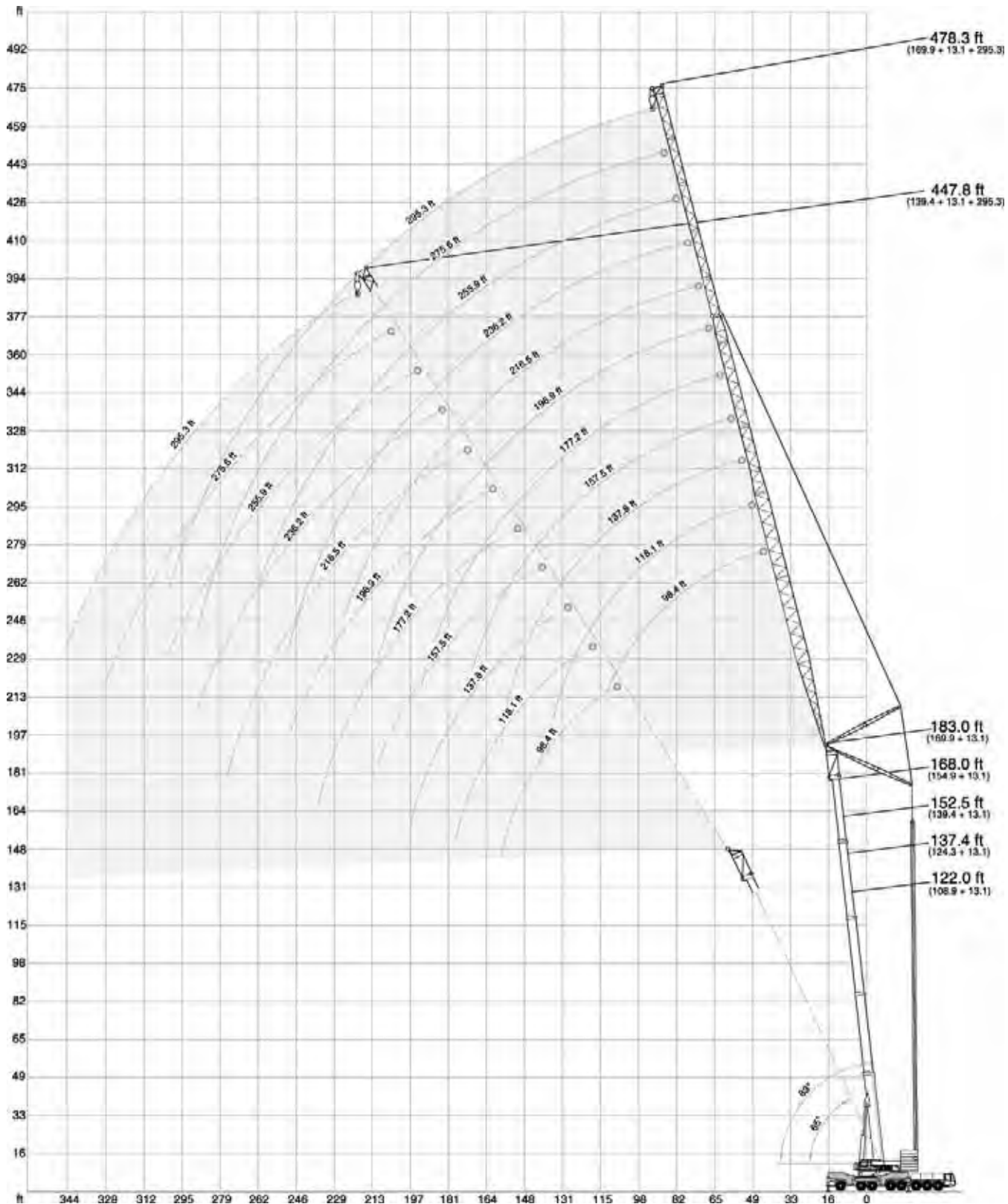
ft	145.7 ft			165.4 ft			185.0 ft			204.7 ft			ft
	0°	20°	40°	0°	20°	40°	0°	20°	40°	0°	20°	40°	
	1,000 lb												
56	57,4	-	-	-	-	-	-	-	-	-	-	-	56
64	53,1	-	-	45,6	-	-	-	-	-	-	-	-	64
72	49,0	-	-	42,0	-	-	-	37,1	-	-	-	32,2	72
80	45,5	-	-	38,7	-	-	-	34,3	-	-	-	29,7	80
88	42,2	33,3	-	35,7	30,7	-	-	31,6	-	-	-	27,2	88
96	39,1	31,8	-	33,0	28,9	-	-	29,2	24,1	-	-	24,9	96
104	36,4	30,4	26,3	30,8	27,5	-	-	27,0	22,9	-	-	22,9	104
112	33,8	29,2	26,0	28,8	25,9	24,6	-	25,0	21,8	-	-	21,1	112
120	31,5	28,0	25,4	26,9	24,6	23,3	-	23,4	20,7	-	-	19,6	120
128	29,4	26,8	24,9	25,2	23,4	22,0	-	21,9	19,7	19,0	-	18,2	128
136	27,5	25,6	24,2	23,9	22,2	21,0	-	20,4	18,8	18,0	-	16,8	136
144	25,8	24,5	23,4	22,5	21,0	19,9	-	19,1	17,9	17,0	-	15,6	144
152	24,1	23,4	22,5	21,2	20,0	18,8	-	17,9	17,0	16,2	-	14,4	152
160	22,6	22,3	21,6	20,2	19,1	17,8	-	16,9	16,1	15,4	-	13,6	160
168	21,2	21,1	20,6	19,1	18,2	16,9	-	15,8	15,3	14,6	-	12,8	168
176	19,8	20,0	19,6	18,0	17,1	16,0	-	14,9	14,4	13,9	-	12,0	176
184	18,7	18,9	18,7	16,9	16,1	15,2	-	14,0	13,6	13,2	-	11,3	184
192	17,6	17,8	17,6	15,9	15,3	14,5	-	13,1	13,0	12,4	-	10,7	192
200	16,6	16,8	16,6	14,9	14,3	13,7	-	12,3	12,2	11,7	-	10,0	200
208	15,5	15,7	15,7	13,9	13,4	13,0	-	11,5	11,4	11,0	-	9,4	208
216	14,4	14,6	14,8	13,0	12,6	12,2	-	10,8	10,6	10,4	-	8,9	216
224	13,6	13,6	-	12,1	11,8	11,6	-	10,1	9,8	9,8	-	8,3	224
232	12,7	12,6	-	11,1	10,9	10,9	-	9,3	9,2	9,1	-	7,8	232
240	11,8	11,6	-	10,2	10,1	-	-	8,6	8,3	8,6	-	7,2	240
248	11,0	10,9	-	9,3	9,4	-	-	7,8	7,8	8,0	-	6,6	248
256	10,1	10,1	-	8,6	8,7	-	-	7,0	7,1	-	-	5,7	256
264	9,3	-	-	7,6	7,8	-	-	6,2	6,5	-	-	5,1	264
272	8,6	-	-	6,7	7,3	-	-	5,5	6,0	-	-	-	272
280	-	-	-	5,8	-	-	-	4,7	-	-	-	-	280
288	-	-	-	4,9	-	-	-	-	-	-	-	-	288



# WIHI / WIHI-SSL

## AC 500-2

HA 83° - 65°



# WIHI

# AC 500-2

132,300 lb 176,400 lb 220,500 lb 264,600 lb 308,700 lb 352,800 lb 396,800 lb 31.6 ft x 31.5 ft 360° 85%

48.2 ft + 13.1 ft

ft	78.7 ft			98.4 ft			118.1 ft			137.8 ft			157.5 ft			177.2 ft		
	83°	73°	65°	83°	73°	65°	83°	73°	65°	83°	73°	65°	83°	73°	65°	83°	73°	65°
	1,000 lb																	
48	251,0	-	-	-	-	-	-	-	-	-	-	-	-	-	-	-	-	-
56	223,9	-	-	210,8	-	-	186,7	-	-	151,5	-	-	-	-	-	-	-	-
64	197,1	-	-	194,5	-	-	182,7	-	-	151,5	-	-	119,9	-	-	-	-	-
72	174,2	167,6	-	173,3	166,3	-	171,4	-	-	151,5	-	-	119,9	-	-	108,0	-	-
80	151,1	150,2	-	155,2	149,1	-	153,5	147,1	-	147,8	-	-	119,8	-	-	108,0	-	-
88	-	135,9	131,6	140,4	134,8	-	138,8	132,8	-	137,0	-	-	117,6	-	-	108,0	-	-
96	-	-	120,1	123,2	122,7	118,8	126,3	120,8	-	124,5	119,1	-	111,9	-	-	107,3	-	-
104	-	-	-	-	112,5	108,8	115,7	110,5	106,8	113,9	108,8	-	106,3	109,6	-	105,4	-	-
112	-	-	-	-	-	100,3	98,9	101,9	98,3	104,9	100,1	-	100,6	101,2	-	103,1	99,6	-
120	-	-	-	-	-	-	75,9	94,5	91,1	96,5	92,6	89,2	94,7	93,8	-	96,8	92,1	-
128	-	-	-	-	-	-	-	87,9	84,7	84,7	86,1	82,9	88,5	87,2	83,9	89,9	85,6	-
136	-	-	-	-	-	-	-	-	79,0	69,4	80,2	77,1	82,3	81,3	78,1	83,8	79,8	-
144	-	-	-	-	-	-	-	-	-	-	75,0	72,1	75,1	76,1	73,2	78,3	74,5	71,4
152	-	-	-	-	-	-	-	-	-	-	-	67,5	63,8	71,2	68,6	73,2	69,7	66,9
160	-	-	-	-	-	-	-	-	-	-	-	-	-	66,6	64,2	65,7	65,4	62,9
168	-	-	-	-	-	-	-	-	-	-	-	-	-	61,8	60,3	56,3	61,5	59,1
176	-	-	-	-	-	-	-	-	-	-	-	-	-	-	56,7	46,8	57,8	55,4
184	-	-	-	-	-	-	-	-	-	-	-	-	-	-	-	-	54,6	52,3
192	-	-	-	-	-	-	-	-	-	-	-	-	-	-	-	-	-	49,5

ft	196.9 ft			216.5 ft			236.2 ft			255.9 ft			275.6 ft			295.3 ft		
	83°	73°	65°	83°	73°	65°	83°	73°	65°	83°	73°	65°	83°	73°	65°	83°	73°	65°
	1,000 lb																	
72	92,6	-	-	-	-	-	-	-	-	-	-	-	-	-	-	-	-	-
80	92,6	-	-	74,0	-	-	62,8	-	-	-	-	-	-	-	-	-	-	-
88	92,6	-	-	73,5	-	-	62,5	-	-	52,2	-	-	-	-	-	-	-	-
96	92,6	-	-	72,8	-	-	62,1	-	-	51,5	-	-	41,4	-	-	-	-	-
104	92,2	-	-	72,2	-	-	61,8	-	-	51,0	-	-	40,7	-	-	33,6	-	-
112	90,7	-	-	71,6	-	-	61,5	-	-	50,4	-	-	39,9	-	-	33,0	-	-
120	89,2	84,9	-	70,7	-	-	61,2	-	-	49,7	-	-	39,1	-	-	32,2	-	-
128	87,5	83,5	-	69,8	68,1	-	60,5	-	-	49,0	-	-	38,5	-	-	31,5	-	-
136	83,1	78,9	-	69,0	67,6	-	59,8	61,4	-	48,2	-	-	37,7	-	-	30,8	-	-
144	77,6	73,6	-	68,2	67,3	-	59,1	60,7	-	47,4	49,2	-	36,9	-	-	30,0	-	-
152	72,8	69,1	66,3	67,0	66,4	-	58,3	59,9	-	46,4	48,4	-	36,0	37,8	-	29,4	-	-
160	68,3	64,9	62,2	65,0	63,1	60,3	57,7	59,1	-	45,5	47,6	-	35,2	36,9	-	28,7	-	-
168	63,4	61,0	58,4	62,2	59,3	56,7	56,8	57,3	-	44,5	46,7	-	34,2	35,8	-	27,9	29,1	-
176	57,9	57,2	54,8	58,7	55,6	53,2	55,7	54,1	51,4	43,6	45,8	-	33,4	34,8	-	27,2	28,3	-
184	50,8	54,0	51,7	54,8	52,5	50,2	53,5	50,9	48,5	42,6	45,0	45,5	32,6	33,7	-	26,5	27,6	-
192	43,2	51,0	48,8	50,3	49,4	47,3	50,9	47,9	45,7	41,7	44,1	44,2	31,9	32,6	-	25,9	26,9	-
200	-	48,2	46,1	44,4	46,6	44,6	47,7	45,2	43,0	40,6	43,3	42,4	31,0	31,7	32,7	25,2	26,1	-
208	-	-	43,7	38,0	44,1	42,1	43,4	42,7	40,6	39,5	41,9	40,4	30,2	30,9	31,9	24,6	25,4	26,5
216	-	-	41,6	31,3	41,8	39,8	38,5	40,3	38,3	38,4	40,0	38,1	29,4	30,2	31,1	24,1	24,7	25,8
224	-	-	-	-	39,0	37,8	33,2	38,2	36,4	36,7	38,0	36,0	28,7	29,6	30,3	23,5	24,2	25,2
232	-	-	-	-	-	-	27,2	36,3	34,4	34,3	36,0	34,1	28,0	28,9	29,6	23,0	23,7	24,5
240	-	-	-	-	-	-	-	34,6	32,7	30,3	34,2	32,4	27,4	28,2	28,9	22,3	23,1	24,0
248	-	-	-	-	-	-	-	-	31,1	25,5	32,5	30,7	26,8	27,6	28,2	21,7	22,5	23,4
256	-	-	-	-	-	-	-	-	-	-	30,8	29,1	26,2	27,1	27,5	21,2	21,8	22,7
264	-	-	-	-	-	-	-	-	-	-	27,2	27,7	23,0	26,7	26,9	20,8	21,4	22,2
272	-	-	-	-	-	-	-	-	-	-	-	-	18,5	26,3	25,9	20,3	21,0	21,7
280	-	-	-	-	-	-	-	-	-	-	-	-	-	25,2	24,6	19,8	20,6	21,3
288	-	-	-	-	-	-	-	-	-	-	-	-	-	-	23,3	17,0	20,4	20,9
296	-	-	-	-	-	-	-	-	-	-	-	-	-	-	-	-	20,0	20,5
304	-	-	-	-	-	-	-	-	-	-	-	-	-	-	-	-	-	20,1

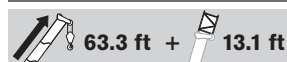




# WIHI

# AC 500-2

132,300 lb 176,400 lb 220,500 lb 264,600 lb 308,700 lb 352,800 lb 396,800 lb 31.6 ft x 31.5 ft 360° 85%



ft	78.7 ft			98.4 ft			118.1 ft			137.8 ft			157.5 ft			177.2 ft		
	83°	73°	65°	83°	73°	65°	83°	73°	65°	83°	73°	65°	83°	73°	65°	83°	73°	65°
48	1,000 lb																	
56	239,9	-	-	-	-	-	-	-	-	-	-	-	-	-	-	-	-	-
64	195,2	-	-	198,9	-	-	171,9	-	-	139,6	-	-	-	-	-	-	-	-
72	172,4	-	-	187,3	-	-	170,3	-	-	139,6	-	-	114,6	-	-	-	-	-
80	154,5	146,7	-	171,2	-	-	167,4	-	-	139,6	-	-	114,6	-	-	102,1	-	-
88	-	132,6	-	153,6	145,4	-	151,9	-	-	138,7	-	-	114,6	-	-	101,5	-	-
96	-	121,0	115,8	138,9	131,5	-	137,2	129,6	-	132,6	-	-	113,7	-	-	101,0	-	-
104	-	-	106,3	126,5	119,7	-	124,8	117,8	-	123,1	115,9	-	110,2	-	-	100,5	-	-
112	-	-	-	103,9	109,7	105,0	114,3	107,9	-	112,6	105,9	-	106,1	107,2	-	99,7	-	-
120	-	-	-	-	101,2	96,6	104,9	99,2	94,6	103,6	97,5	-	102,0	98,6	-	99,1	97,0	-
128	-	-	-	-	-	89,7	86,1	81,9	87,5	95,9	90,1	-	96,8	91,2	-	95,7	89,7	-
136	-	-	-	-	-	-	-	85,5	81,4	88,8	83,6	79,4	90,4	84,8	-	88,8	83,2	-
144	-	-	-	-	-	-	-	79,9	75,9	76,7	77,9	74,0	84,2	79,0	75,1	82,8	77,5	-
152	-	-	-	-	-	-	-	-	71,2	58,0	72,8	69,2	78,3	73,9	70,1	77,4	72,3	-
160	-	-	-	-	-	-	-	-	-	-	68,4	64,7	70,0	69,3	65,8	72,5	67,8	64,0
168	-	-	-	-	-	-	-	-	-	-	-	60,7	56,4	64,8	61,6	67,9	63,5	60,1
176	-	-	-	-	-	-	-	-	-	-	-	-	-	61,0	57,8	61,0	59,7	56,5
184	-	-	-	-	-	-	-	-	-	-	-	-	-	-	54,5	51,4	56,1	53,0
192	-	-	-	-	-	-	-	-	-	-	-	-	-	-	-	-	52,9	50,1
200	-	-	-	-	-	-	-	-	-	-	-	-	-	-	-	-	49,9	47,3

ft	196.9 ft			216.5 ft			236.2 ft			255.9 ft			275.6 ft			295.3 ft		
	83°	73°	65°	83°	73°	65°	83°	73°	65°	83°	73°	65°	83°	73°	65°	83°	73°	65°
80	1,000 lb																	
88	86,4	-	-	68,9	-	-	-	-	-	-	-	-	-	-	-	-	-	-
96	86,0	-	-	68,4	-	-	60,8	-	-	-	-	-	-	-	-	-	-	-
104	85,6	-	-	67,8	-	-	60,5	-	-	47,8	-	-	39,2	-	-	-	-	-
112	85,4	-	-	67,3	-	-	60,2	-	-	47,7	-	-	38,6	-	-	31,8	-	-
120	84,6	-	-	66,5	-	-	59,9	-	-	47,4	-	-	38,1	-	-	31,3	-	-
128	83,9	-	-	66,1	-	-	59,5	-	-	47,3	-	-	37,5	-	-	30,7	-	-
136	83,0	80,0	-	65,7	65,7	-	59,1	-	-	47,1	-	-	36,8	-	-	30,1	-	-
144	81,4	76,7	-	65,2	65,0	-	58,5	-	-	46,6	-	-	36,3	-	-	29,4	-	-
152	76,7	71,6	-	64,6	64,2	-	57,8	59,6	-	45,9	-	-	35,7	-	-	28,9	-	-
160	71,9	67,1	-	64,0	63,5	-	57,2	59,0	-	45,3	46,8	-	34,9	-	-	28,3	-	-
168	67,4	62,9	59,4	63,1	61,1	-	56,7	58,1	-	44,6	46,1	-	34,1	35,5	-	27,6	-	-
176	63,3	59,1	55,9	61,4	57,5	54,0	56,1	55,7	-	44,0	45,6	-	33,4	34,7	-	27,1	28,1	-
184	59,4	55,4	52,5	58,0	54,1	50,7	55,4	52,3	-	43,3	45,1	-	32,7	34,0	-	26,5	27,4	-
192	53,7	52,3	49,5	54,7	50,8	47,9	53,2	49,2	46,0	42,4	44,5	-	32,1	33,4	-	26,0	26,9	-
200	47,0	49,3	46,6	51,1	47,7	45,1	50,1	46,4	43,3	41,5	43,9	42,7	31,4	32,7	-	25,4	26,3	-
208	38,1	46,8	43,9	47,0	45,2	42,5	47,3	43,7	40,8	40,5	42,8	40,3	30,7	32,0	-	24,8	25,6	-
216	-	44,3	41,8	41,4	42,8	40,1	44,3	41,2	38,5	39,5	41,0	38,0	30,0	31,1	32,4	24,2	25,0	-
224	-	-	39,6	34,8	40,5	37,9	41,2	39,0	36,3	38,4	38,7	35,9	29,4	30,5	31,6	23,6	24,3	25,4
232	-	-	-	-	38,4	36,0	36,1	36,9	34,4	37,2	36,7	34,0	28,7	29,8	30,8	23,1	23,9	24,7
240	-	-	-	-	-	34,1	30,4	35,0	32,6	35,5	34,7	32,1	28,0	29,1	30,0	22,6	23,4	24,1
248	-	-	-	-	-	-	32,5	33,3	30,9	32,6	32,8	30,4	27,4	28,5	29,3	22,0	22,9	23,6
256	-	-	-	-	-	-	-	31,3	29,2	28,3	31,2	28,7	26,9	27,9	28,2	21,5	22,4	23,0
264	-	-	-	-	-	-	-	-	-	-	29,7	27,1	26,4	27,3	26,9	20,9	22,0	22,5
272	-	-	-	-	-	-	-	-	-	-	28,3	25,8	24,6	26,8	25,4	20,5	21,5	22,1
280	-	-	-	-	-	-	-	-	-	-	-	24,4	21,4	26,2	24,1	20,1	21,1	21,7
288	-	-	-	-	-	-	-	-	-	-	-	23,1	-	25,1	22,8	19,7	20,8	21,3
296	-	-	-	-	-	-	-	-	-	-	-	-	-	23,9	21,5	18,0	20,5	20,5
304	-	-	-	-	-	-	-	-	-	-	-	-	-	-	-	-	20,3	19,5
312	-	-	-	-	-	-	-	-	-	-	-	-	-	-	-	-	20,0	18,6



# WIHI

# AC 500-2

132,300 lb 176,400 lb 220,500 lb 264,600 lb 308,700 lb 352,800 lb 396,800 lb 31.6 ft x 31.5 ft 360° 85%

78.7 ft + 13.1 ft

ft	78.7 ft			98.4 ft			118.1 ft			137.8 ft			157.5 ft			177.2 ft		
	83°	73°	65°	83°	73°	65°	83°	73°	65°	83°	73°	65°	83°	73°	65°	83°	73°	65°
	1,000 lb																	
56	210,3	-	-	187,5	-	-	159,0	-	-	-	-	-	-	-	-	-	-	-
64	192,1	-	-	176,8	-	-	157,1	-	-	130,7	-	-	-	-	-	-	-	-
72	170,9	-	-	166,2	-	-	155,2	-	-	130,7	-	-	109,8	-	-	-	-	96,8
80	153,2	143,7	-	152,2	-	-	148,2	-	-	130,5	-	-	109,8	-	-	-	-	96,2
88	-	129,9	-	137,5	128,7	-	135,8	-	-	127,7	-	-	109,7	-	-	-	-	95,5
96	-	118,3	-	125,3	117,0	-	123,6	115,3	-	120,9	-	-	108,0	-	-	-	-	94,8
104	-	-	102,8	114,4	107,2	-	113,2	105,3	-	111,5	103,5	-	104,9	-	-	-	-	94,2
112	-	-	-	-	98,8	93,5	104,3	97,0	-	102,5	95,0	-	101,8	96,4	-	-	-	93,7
120	-	-	-	-	-	86,5	93,1	89,7	84,5	94,9	87,9	-	96,2	89,1	-	-	-	92,3
128	-	-	-	-	-	80,5	-	83,3	78,6	88,1	81,5	76,5	89,5	82,7	-	-	-	87,9
136	-	-	-	-	-	-	-	77,9	73,2	80,7	75,9	71,3	83,5	77,0	-	-	-	82,0
144	-	-	-	-	-	-	-	-	68,5	65,2	71,0	66,6	78,1	72,1	67,7	76,5	70,3	-
152	-	-	-	-	-	-	-	-	-	-	66,4	62,3	72,4	67,5	63,4	71,7	66,0	61,6
160	-	-	-	-	-	-	-	-	-	-	-	58,3	61,7	63,3	59,4	67,2	62,0	57,8
168	-	-	-	-	-	-	-	-	-	-	-	54,7	59,5	55,7	61,7	58,2	54,3	-
176	-	-	-	-	-	-	-	-	-	-	-	-	55,9	52,3	55,0	54,5	51,0	-
184	-	-	-	-	-	-	-	-	-	-	-	-	-	49,4	-	51,5	48,0	-
192	-	-	-	-	-	-	-	-	-	-	-	-	-	-	-	48,6	45,3	-
200	-	-	-	-	-	-	-	-	-	-	-	-	-	-	-	-	42,8	-
208	-	-	-	-	-	-	-	-	-	-	-	-	-	-	-	-	40,7	-

ft	196.9 ft			216.5 ft			236.2 ft			255.9 ft			275.6 ft			295.3 ft		
	83°	73°	65°	83°	73°	65°	83°	73°	65°	83°	73°	65°	83°	73°	65°	83°	73°	65°
	1,000 lb																	
80	81,9	-	-	-	-	-	-	-	-	-	-	-	-	-	-	-	-	-
88	81,2	-	-	63,8	-	-	57,1	-	-	-	-	-	-	-	-	-	-	-
96	80,6	-	-	63,4	-	-	56,7	-	-	46,3	-	-	-	-	-	-	-	-
104	80,1	-	-	62,9	-	-	56,5	-	-	46,1	-	-	36,2	-	-	-	-	-
112	79,6	-	-	62,4	-	-	56,2	-	-	45,8	-	-	35,9	-	-	-	-	30,6
120	79,0	-	-	61,8	-	-	55,9	-	-	45,6	-	-	35,7	-	-	-	-	30,1
128	78,5	76,7	-	61,4	-	-	55,6	-	-	45,4	-	-	35,4	-	-	-	-	29,5
136	77,9	74,1	-	61,0	-	-	55,2	-	-	45,3	-	-	35,1	-	-	-	-	29,0
144	75,7	69,7	-	60,4	60,9	-	54,9	-	-	44,8	-	-	34,6	-	-	-	-	28,3
152	71,1	65,2	-	59,9	60,3	-	54,4	52,4	-	44,2	-	-	34,1	-	-	-	-	27,7
160	66,8	61,2	-	59,5	59,0	-	54,1	52,1	-	43,7	44,0	-	33,5	-	-	-	-	27,2
168	62,7	57,6	53,5	58,4	55,9	-	53,8	51,3	-	43,2	43,7	-	32,8	34,1	-	-	-	26,6
176	58,8	54,1	50,3	57,1	52,5	-	53,4	50,2	-	42,8	43,3	-	32,3	33,6	-	-	-	26,1
184	55,4	50,9	47,4	54,1	49,4	45,6	52,0	47,6	-	42,2	43,0	-	31,6	33,1	-	-	-	25,4
192	51,0	48,0	44,7	51,0	46,4	42,9	49,5	44,9	41,1	41,5	42,6	-	31,0	32,5	-	-	-	24,8
200	42,1	45,4	42,3	48,2	43,9	40,5	46,8	42,3	38,7	40,6	41,9	-	30,4	31,8	-	-	-	24,3
208	-	43,1	40,0	43,6	41,5	38,2	44,2	39,9	36,5	39,6	39,7	36,0	29,7	31,2	-	-	-	23,7
216	-	40,9	37,8	37,7	39,2	36,1	41,8	37,6	34,3	38,6	37,4	33,9	29,1	30,7	31,8	23,2	24,3	-
224	-	-	36,1	-	37,3	34,2	38,4	35,7	32,4	37,7	35,4	32,1	28,6	30,0	31,0	22,9	23,7	24,9
232	-	-	-	-	32,6	34,0	33,9	30,6	36,4	33,4	30,4	28,0	29,4	29,9	22,4	23,3	24,3	-
240	-	-	-	-	30,8	-	32,1	29,0	34,4	31,7	28,6	27,4	28,8	28,2	22,0	22,8	23,8	-
248	-	-	-	-	-	-	30,5	27,4	30,6	30,0	26,9	26,9	28,2	26,6	21,5	22,4	23,2	23,2
256	-	-	-	-	-	-	-	25,8	-	28,4	25,3	26,4	27,5	25,1	20,9	22,0	22,7	-
264	-	-	-	-	-	-	-	24,6	-	26,9	24,0	25,8	26,5	23,8	20,5	21,6	22,3	-
272	-	-	-	-	-	-	-	-	-	22,7	23,5	25,3	22,5	20,2	21,2	21,5	-	-
280	-	-	-	-	-	-	-	-	-	-	21,5	-	24,0	19,9	20,8	20,2	-	-
288	-	-	-	-	-	-	-	-	-	-	-	-	22,8	19,9	18,9	20,5	19,1	-
296	-	-	-	-	-	-	-	-	-	-	-	-	-	18,9	-	20,2	18,0	-
304	-	-	-	-	-	-	-	-	-	-	-	-	-	17,9	-	19,5	17,1	-
312	-	-	-	-	-	-	-	-	-	-	-	-	-	-	-	16,1	15,2	-
320	-	-	-	-	-	-	-	-	-	-	-	-	-	-	-	-	15,2	-



# WIHI

# AC 500-2

132,300 lb 176,400 lb 220,500 lb 264,600 lb 308,700 lb 352,800 lb 396,800 lb 31.6 ft x 31.5 ft 360° 85%

93.8 ft + 13.1 ft

ft	78.7 ft			98.4 ft			118.1 ft			137.8 ft			157.5 ft			177.2 ft		
	83°	73°	65°	83°	73°	65°	83°	73°	65°	83°	73°	65°	83°	73°	65°	83°	73°	65°
56	183,1	-	-	162,9	-	-	140,4	-	-	-	-	-	-	-	-	-	-	-
64	170,8	-	-	155,6	-	-	137,7	-	-	115,7	-	-	-	-	-	-	-	-
72	159,2	-	-	147,9	-	-	134,8	-	-	114,9	-	-	98,1	-	-	-	-	-
80	149,7	-	-	140,1	-	-	130,9	-	-	114,0	-	-	97,8	-	-	85,9	-	-
88	-	120,9	-	132,9	-	-	125,1	-	-	112,0	-	-	97,6	-	-	85,3	-	-
96	-	111,8	-	124,4	109,5	-	119,5	103,8	-	108,1	-	-	96,7	-	-	84,5	-	-
104	-	104,7	-	114,1	101,5	-	112,1	97,4	-	104,3	-	-	95,0	-	-	83,8	-	-
112	-	-	89,4	-	95,6	88,3	103,4	91,2	-	100,2	89,0	-	92,9	-	-	83,1	-	-
120	-	-	-	-	89,8	82,1	94,7	86,1	-	94,0	83,6	-	91,0	83,6	-	82,5	-	-
128	-	-	-	-	-	76,9	-	81,5	73,5	87,4	78,6	-	87,9	79,2	-	81,8	75,5	-
136	-	-	-	-	-	72,9	-	76,3	69,2	81,5	74,4	67,9	82,7	74,8	-	80,3	71,8	-
144	-	-	-	-	-	-	-	71,4	65,6	70,7	69,4	63,9	77,4	70,5	-	75,8	68,1	-
152	-	-	-	-	-	-	-	-	62,3	-	65,1	60,1	72,4	66,2	61,4	71,0	64,3	-
160	-	-	-	-	-	-	-	-	-	-	61,0	56,4	65,4	62,0	57,7	66,5	60,5	-
168	-	-	-	-	-	-	-	-	-	-	-	53,1	58,2	54,1	62,5	56,9	52,4	-
176	-	-	-	-	-	-	-	-	-	-	-	49,9	54,7	50,8	58,7	53,4	49,2	-
184	-	-	-	-	-	-	-	-	-	-	-	-	-	47,7	-	50,2	46,4	-
192	-	-	-	-	-	-	-	-	-	-	-	-	-	45,1	-	47,5	43,8	-
200	-	-	-	-	-	-	-	-	-	-	-	-	-	-	-	45,0	41,4	-
208	-	-	-	-	-	-	-	-	-	-	-	-	-	-	-	-	39,2	-
216	-	-	-	-	-	-	-	-	-	-	-	-	-	-	-	-	37,2	-

ft	196.9 ft			216.5 ft			236.2 ft			255.9 ft			275.6 ft			295.3 ft		
	83°	73°	65°	83°	73°	65°	83°	73°	65°	83°	73°	65°	83°	73°	65°	83°	73°	65°
80	75,3	-	-	-	-	-	-	-	-	-	-	-	-	-	-	-	-	-
88	74,6	-	-	58,6	-	-	-	-	-	-	-	-	-	-	-	-	-	-
96	74,0	-	-	58,3	-	-	51,5	-	-	41,7	-	-	-	-	-	-	-	-
104	73,3	-	-	58,0	-	-	51,2	-	-	41,7	-	-	34,2	-	-	-	-	-
112	72,7	-	-	57,7	-	-	50,9	-	-	41,4	-	-	33,9	-	-	27,8	-	-
120	72,0	-	-	57,4	-	-	50,6	-	-	41,4	-	-	33,6	-	-	27,5	-	-
128	71,3	-	-	57,0	-	-	50,3	-	-	41,3	-	-	33,2	-	-	27,2	-	-
136	70,7	67,2	-	56,7	-	-	49,9	-	-	41,2	-	-	32,9	-	-	27,0	-	-
144	69,9	64,5	-	56,5	54,1	-	49,6	-	-	41,0	-	-	32,6	-	-	26,7	-	-
152	68,9	62,0	-	56,2	53,0	-	49,3	49,0	-	40,7	-	-	32,2	-	-	26,4	-	-
160	66,1	59,3	-	55,9	51,8	-	49,1	47,9	-	40,4	-	-	31,9	-	-	26,1	-	-
168	61,9	56,3	-	55,6	50,6	-	48,7	46,8	-	40,1	40,4	-	31,5	-	-	25,6	-	-
176	58,3	52,8	48,5	55,4	49,5	-	48,3	45,6	-	39,7	40,2	-	31,1	32,0	-	25,2	-	-
184	55,0	49,7	45,8	53,5	48,2	43,8	48,2	44,5	-	39,5	39,8	-	30,9	31,7	-	24,8	25,9	-
192	51,1	46,9	43,1	50,4	45,3	41,4	47,8	43,2	-	39,1	39,4	-	30,6	31,5	-	24,4	25,5	-
200	44,5	44,3	40,7	47,7	42,8	39,0	46,2	41,2	37,0	38,6	39,1	-	30,2	31,2	-	24,0	24,9	-
208	-	42,0	38,5	44,5	40,4	36,8	43,8	38,9	34,8	38,1	38,5	34,5	29,7	30,9	-	23,6	24,4	-
216	-	39,8	36,5	41,0	38,3	34,7	41,4	36,7	32,8	37,5	36,3	32,3	29,1	30,5	-	23,2	23,8	-
224	-	-	34,6	-	36,2	32,6	39,2	34,7	30,9	37,0	34,4	30,4	28,4	30,1	30,1	22,8	23,4	-
232	-	-	-	-	34,4	30,8	35,9	32,8	29,1	36,2	32,5	28,6	27,8	29,6	28,4	22,3	23,0	-
240	-	-	-	-	32,7	29,2	29,7	31,0	27,5	34,9	30,6	27,0	27,3	28,9	26,6	22,0	22,6	24,0
248	-	-	-	-	-	27,7	-	29,5	25,9	31,7	28,9	25,5	26,9	28,0	25,1	21,6	22,2	23,4
256	-	-	-	-	-	-	-	-	24,5	-	27,3	24,0	26,5	27,1	23,6	21,2	21,8	22,7
264	-	-	-	-	-	-	-	-	23,1	-	26,0	22,7	26,0	25,8	22,2	20,8	21,6	21,3
272	-	-	-	-	-	-	-	-	-	-	24,6	21,4	24,3	24,4	20,9	20,4	21,2	20,1
280	-	-	-	-	-	-	-	-	-	-	23,3	20,2	20,3	23,1	19,7	20,0	20,8	18,8
288	-	-	-	-	-	-	-	-	-	-	-	19,1	-	21,8	18,6	19,5	20,4	17,7
296	-	-	-	-	-	-	-	-	-	-	-	-	-	17,6	-	20,0	16,7	-
304	-	-	-	-	-	-	-	-	-	-	-	-	-	16,6	-	18,9	15,7	-
312	-	-	-	-	-	-	-	-	-	-	-	-	-	-	-	17,9	14,8	-
320	-	-	-	-	-	-	-	-	-	-	-	-	-	-	-	16,9	14,0	-
328	-	-	-	-	-	-	-	-	-	-	-	-	-	-	-	-	13,2	-



# WIHI

# AC 500-2

 132,300 lb	 176,400 lb	 220,500 lb	 264,600 lb	 308,700 lb	 352,800 lb	 396,800 lb	 31.6 ft x 31.5 ft	 360°	 85%
--	--	--	--	--	--	--	---	--	---



ft	78.7 ft			98.4 ft			118.1 ft			137.8 ft			157.5 ft			177.2 ft		
	83°	73°	65°	83°	73°	65°	83°	73°	65°	83°	73°	65°	83°	73°	65°	83°	73°	65°
	1,000 lb																	
56	165,0	-	-	-	-	-	-	-	-	-	-	-	-	-	-	-	-	-
64	153,5	-	-	139,8	-	-	125,8	-	-	-	-	-	-	-	-	-	-	-
72	142,0	-	-	132,4	-	-	121,1	-	-	103,9	-	-	-	-	-	-	-	-
80	133,5	-	-	125,2	-	-	116,2	-	-	102,0	-	-	89,4	-	-	76,8	-	-
88	126,8	-	-	118,6	-	-	110,8	-	-	99,8	-	-	88,6	-	-	75,8	-	-
96	-	99,8	-	113,2	96,6	-	105,2	-	-	96,6	-	-	87,6	-	-	75,0	-	-
104	-	92,9	-	108,4	89,9	-	100,3	85,8	-	92,7	-	-	86,0	-	-	74,0	-	-
112	-	-	-	-	84,0	-	97,0	80,8	-	88,9	76,9	-	84,1	-	-	72,9	-	-
120	-	-	72,9	-	79,5	-	93,4	75,9	-	85,7	72,8	-	82,3	-	-	71,6	-	-
128	-	-	-	-	75,8	66,9	81,0	72,1	-	82,8	68,5	-	80,3	69,1	-	70,3	-	-
136	-	-	-	-	-	62,8	-	68,7	60,5	80,0	64,7	-	78,1	65,4	-	69,1	62,8	-
144	-	-	-	-	-	59,9	-	66,0	57,0	75,6	61,8	-	75,7	61,9	-	67,7	59,9	-
152	-	-	-	-	-	-	-	54,3	-	58,9	52,3	71,9	59,0	-	66,4	56,7	-	-
160	-	-	-	-	-	-	-	51,8	-	56,8	49,5	66,8	56,8	49,6	64,7	53,8	-	-
168	-	-	-	-	-	-	-	-	-	55,6	47,1	54,6	54,4	47,0	62,1	51,6	45,4	-
176	-	-	-	-	-	-	-	-	-	-	45,0	-	52,3	44,8	58,3	49,7	43,1	-
184	-	-	-	-	-	-	-	-	-	-	-	-	50,2	42,8	48,7	47,7	41,0	-
192	-	-	-	-	-	-	-	-	-	-	-	-	-	41,0	-	45,7	39,1	-
200	-	-	-	-	-	-	-	-	-	-	-	-	-	40,1	-	43,8	37,3	-
208	-	-	-	-	-	-	-	-	-	-	-	-	-	-	-	41,8	35,8	-
216	-	-	-	-	-	-	-	-	-	-	-	-	-	-	-	-	34,9	-

ft	196.9 ft			216.5 ft			236.2 ft			255.9 ft			275.6 ft			295.3 ft		
	83°	73°	65°	83°	73°	65°	83°	73°	65°	83°	73°	65°	83°	73°	65°	83°	73°	65°
	1,000 lb																	
88	68,1	-	-	-	-	-	-	-	-	-	-	-	-	-	-	-	-	-
96	67,3	-	-	53,7	-	-	45,5	-	-	-	-	-	-	-	-	-	-	-
104	66,5	-	-	53,4	-	-	45,2	-	-	38,2	-	-	-	-	-	-	-	-
112	65,7	-	-	53,1	-	-	45,0	-	-	38,1	-	-	30,9	-	-	24,7	-	-
120	64,8	-	-	52,8	-	-	44,9	-	-	37,9	-	-	30,8	-	-	24,5	-	-
128	64,2	-	-	52,5	-	-	44,6	-	-	37,8	-	-	30,6	-	-	24,4	-	-
136	63,5	-	-	51,9	-	-	44,4	-	-	37,5	-	-	30,5	-	-	24,1	-	-
144	62,6	57,7	-	51,6	-	-	44,3	-	-	37,5	-	-	30,4	-	-	24,0	-	-
152	61,8	55,2	-	51,1	47,7	-	44,1	-	-	37,3	-	-	30,2	-	-	23,8	-	-
160	60,6	52,6	-	50,5	46,2	-	44,0	42,1	-	37,3	-	-	30,1	-	-	23,6	-	-
168	59,2	50,2	-	50,1	44,7	-	43,8	40,8	-	37,0	35,2	-	29,9	-	-	23,5	-	-
176	57,6	47,8	-	49,7	43,2	-	43,7	39,6	-	37,0	34,7	-	29,8	-	-	23,2	-	-
184	54,6	45,9	40,5	49,1	41,7	-	43,4	38,4	-	36,9	34,2	-	29,6	29,4	-	23,0	-	-
192	51,1	44,2	38,4	48,4	40,2	36,4	43,1	37,2	-	36,8	33,6	-	29,5	29,3	-	22,9	23,3	-
200	46,6	42,6	36,5	46,8	38,8	34,5	42,7	36,0	-	36,5	33,1	-	29,4	29,3	-	22,8	23,2	-
208	37,5	41,0	34,9	44,7	37,4	32,8	41,9	34,8	31,3	36,2	32,5	-	29,1	29,2	-	22,6	23,1	-
216	-	38,9	33,4	42,3	36,0	31,2	40,9	33,6	29,6	36,0	31,8	-	28,7	29,1	-	22,5	22,9	-
224	-	37,2	32,3	34,0	34,9	29,8	38,8	32,4	28,2	35,7	30,9	27,3	28,3	29,0	-	22,1	22,8	-
232	-	-	31,2	-	33,7	28,6	36,0	31,2	26,8	35,3	29,9	25,8	27,9	28,6	25,4	21,7	22,6	-
240	-	-	30,0	-	31,9	27,5	31,5	30,0	25,6	34,5	28,8	24,5	27,5	27,7	24,2	21,5	22,4	-
248	-	-	-	-	-	26,3	-	28,6	24,3	32,2	27,7	23,4	27,1	26,7	23,0	21,2	22,1	22,0
256	-	-	-	-	-	-	-	27,1	23,1	29,2	26,7	22,5	26,7	25,8	21,8	20,9	21,8	20,9
264	-	-	-	-	-	-	-	25,8	21,9	22,4	25,2	21,4	26,3	24,7	20,9	20,5	21,4	20,0
272	-	-	-	-	-	-	-	-	20,8	-	23,8	20,3	24,9	23,5	19,8	20,2	21,1	19,0
280	-	-	-	-	-	-	-	-	19,7	-	22,6	19,1	21,8	22,2	18,6	19,9	20,8	17,7
288	-	-	-	-	-	-	-	-	-	-	-	18,0	-	21,0	17,6	19,6	20,0	16,6
296	-	-	-	-	-	-	-	-	-	-	-	-	-	20,0	16,7	19,0	19,1	15,6
304	-	-	-	-	-	-	-	-	-	-	-	-	-	19,0	15,7	14,7	18,0	14,7
312	-	-	-	-	-	-	-	-	-	-	-	-	-	-	14,8	-	17,1	13,7
320	-	-	-	-	-	-	-	-	-	-	-	-	-	-	13,8	-	16,2	12,9
328	-	-	-	-	-	-	-	-	-	-	-	-	-	-	-	-	12,1	-



# WIHI-SSL 30°/60°

# AC 500-2

 176,400 lb	 220,500 lb	 264,600 lb	 308,700 lb	 352,800 lb	 396,800 lb	 31.6 ft x 31.5 ft	 360°	 85%
--	--	--	--	--	--	--	--	---



ft	98.4 ft			118.1 ft			137.8 ft			157.5 ft			177.2 ft		
	83°	73°	65°	83°	73°	65°	83°	73°	65°	83°	73°	65°	83°	73°	65°
	1,000 lb														
64	185.5*	-	-	182.0*	-	-	-	-	-	-	-	-	-	-	-
72	164.9*	-	-	163.2*	-	-	161.5*	-	-	-	-	-	-	-	-
80	147.8	-	-	146.0	-	-	144.3*	-	-	130.2*	-	-	117.8*	-	-
88	133.4	-	-	131.7	-	-	130.1*	-	-	123.9*	-	-	115.7*	-	-
96	121.6*	108.6	-	119.8*	-	-	118.1*	-	-	117.9*	-	-	113.5*	-	-
104	111.4	99.4	-	109.7	97.4	-	107.9	-	-	109.4*	-	-	107.4*	-	-
112	-	91.5	-	101.0	89.6	-	99.2	87.6	-	100.8	-	-	99.0*	-	-
120	-	84.7	76.7	93.4	82.8	-	91.7	80.8	-	93.1	-	-	91.6	-	-
128	-	78.9	71.3	79.7	76.8	-	85.2	74.9	-	86.5	76.1	-	85.0	-	-
136	-	-	66.5	-	71.5	64.3	79.3	69.7	-	80.6	70.8	-	79.1	69.0	-
144	-	-	62.1	-	67.0	59.9	74.3	65.0	58.0	75.4	66.1	-	73.9	64.4	-
152	-	-	-	-	-	56.2	-	60.8	54.2	70.8	62.1	-	69.3	60.3	-
160	-	-	-	-	-	52.9	-	57.1	50.8	66.0	58.3	51.9	65.2	56.7	-
168	-	-	-	-	-	-	-	53.9	47.7	53.9	54.8	48.8	61.4	53.1	47.0
176	-	-	-	-	-	-	-	-	44.9	-	51.8	46.0	58.0	50.0	44.3
184	-	-	-	-	-	-	-	-	-	-	49.2	43.6	48.2	47.4	41.7
192	-	-	-	-	-	-	-	-	-	-	-	41.2	-	44.9	39.3
200	-	-	-	-	-	-	-	-	-	-	-	39.1	-	42.6	37.2
208	-	-	-	-	-	-	-	-	-	-	-	-	-	40.4	35.3
216	-	-	-	-	-	-	-	-	-	-	-	-	-	-	33.4

ft	196.9 ft			216.5 ft			236.2 ft			255.9 ft			275.6 ft			295.3 ft		
	83°	73°	65°	83°	73°	65°	83°	73°	65°	83°	73°	65°	83°	73°	65°	83°	73°	65°
	1,000 lb																	
88	90.3*	-	-	-	-	-	-	-	-	-	-	-	-	-	-	-	-	-
96	88.0*	-	-	72.7*	-	-	61.5*	-	-	-	-	-	-	-	-	-	-	-
104	85.8*	-	-	70.2*	-	-	60.5*	-	-	48.2*	-	-	-	-	-	-	-	-
112	83.4*	-	-	68.0*	-	-	59.7*	-	-	47.3*	-	-	38.6*	-	-	31.9*	-	-
120	81.2*	-	-	65.6*	-	-	58.7*	-	-	46.3*	-	-	37.9*	-	-	31.2*	-	-
128	78.9*	-	-	63.4*	-	-	57.8*	-	-	45.5*	-	-	37.3*	-	-	30.5*	-	-
136	76.8*	-	-	61.7*	-	-	56.7*	-	-	44.7*	-	-	36.6*	-	-	29.9*	-	-
144	73.2*	63.7	-	60.0*	-	-	55.4*	-	-	43.9*	-	-	36.0*	-	-	29.3*	-	-
152	68.6	59.5	-	58.4	56.0	-	54.3	-	-	42.8*	-	-	35.2*	-	-	28.6*	-	-
160	64.4	55.8	-	56.6	54.0	-	52.9	44.8	-	41.7*	-	-	34.3*	-	-	28.0*	-	-
168	60.7	52.5	-	55.2	50.7	-	51.6	44.3	-	40.5*	35.8	-	33.2*	-	-	27.3*	-	-
176	57.2	49.4	-	54.2	47.4	-	50.2	43.7	-	39.4*	35.5	-	32.1*	31.8	-	26.6*	-	-
184	54.1	46.6	40.8	51.9	44.7	-	49.1	42.2	-	38.3*	35.2	-	31.2*	31.2	-	25.8*	25.1	-
192	50.8	44.0	38.4	49.5	42.1	36.6	47.7	40.3	-	37.6*	34.8	-	30.5*	30.5	-	25.0*	24.6	-
200	46.1	41.8	36.4	46.9	39.8	34.4	45.2	38.0	-	37.2*	34.5	-	29.7*	29.8	-	24.2*	24.0	-
208	37.0	39.6	34.4	44.5	37.6	32.4	42.8	35.7	30.4	36.8	34.2	-	29.0*	29.2	-	23.3*	23.5	-
216	-	37.6	32.5	42.0	35.6	30.5	40.5	33.6	28.6	36.4	33.4	-	28.5*	28.5	-	22.7*	23.0	-
224	-	35.8	30.9	33.5	33.9	28.9	38.5	31.9	26.9	36.0	31.5	26.5	27.9	27.9	25.7	22.3*	22.4	-
232	-	-	29.3	-	32.2	27.3	35.6	30.2	25.4	35.4	29.7	24.9	27.4	27.4	24.5	21.9*	21.9	-
240	-	-	27.9	-	30.5	25.9	30.8	28.6	23.9	34.2	28.1	23.4	26.9	27.0	23.0	21.4*	21.4	20.4
248	-	-	-	-	-	24.6	-	27.1	22.6	32.0	26.6	22.1	26.4	26.1	21.7	20.9*	20.8	19.9
256	-	-	-	-	-	-	-	25.8	21.4	29.2	25.1	20.7	26.0	24.9	20.5	20.5*	20.3	19.4
264	-	-	-	-	-	-	-	24.6	20.2	22.4	23.9	19.6	25.7	23.6	19.3	20.1*	19.7	18.3
272	-	-	-	-	-	-	-	-	19.0	-	22.7	18.6	24.5	22.3	18.1	19.7*	19.3	17.2
280	-	-	-	-	-	-	-	-	17.9	-	21.5	17.5	21.7	21.2	17.0	19.5*	18.8	16.2
288	-	-	-	-	-	-	-	-	-	-	-	16.5	-	20.2	16.1	19.1*	18.4	15.2
296	-	-	-	-	-	-	-	-	-	-	-	-	-	19.1	15.1	18.5*	18.0	14.3
304	-	-	-	-	-	-	-	-	-	-	-	-	-	18.2	14.2	14.6*	17.2	13.4
312	-	-	-	-	-	-	-	-	-	-	-	-	-	-	13.3	-	16.3	12.4
320	-	-	-	-	-	-	-	-	-	-	-	-	-	-	12.5	-	15.4	11.6
328	-	-	-	-	-	-	-	-	-	-	-	-	-	-	-	-	-	10.9

# WIHI

# AC 500-2

132,300 lb 176,400 lb 220,500 lb 264,600 lb 308,700 lb 352,800 lb 396,800 lb 31.6 ft x 31.5 ft 360° 85%

124.3 ft + 13.1 ft

ft	78.7 ft			98.4 ft			118.1 ft			137.8 ft			157.5 ft			177.2 ft		
	83°	73°	65°	83°	73°	65°	83°	73°	65°	83°	73°	65°	83°	73°	65°	83°	73°	65°
	1,000 lb																	
64	134,5	-	-	121,8	-	-	108,0	-	-	-	-	-	-	-	-	-	-	-
72	125,2	-	-	115,4	-	-	103,9	-	-	90,0	-	-	-	-	-	-	-	-
80	116,8	-	-	109,5	-	-	99,9	-	-	87,5	-	-	76,0	-	-	66,5	-	-
88	111,0	-	-	103,6	-	-	95,6	-	-	84,9	-	-	74,4	-	-	65,6	-	-
96	-	88,9	-	98,7	-	-	91,3	-	-	82,0	-	-	72,8	-	-	64,7	-	-
104	-	81,8	-	94,6	80,6	-	87,0	-	-	78,9	-	-	71,2	-	-	63,8	-	-
112	-	76,2	-	-	74,7	-	83,8	71,2	-	75,9	-	-	69,6	-	-	62,8	-	-
120	-	-	-	-	69,8	-	80,9	66,6	-	73,1	64,6	-	67,7	-	-	61,5	-	-
128	-	-	59,9	-	65,7	59,1	78,3	62,4	-	70,6	60,8	-	66,1	61,3	-	60,3	-	-
136	-	-	-	-	62,7	54,9	-	59,1	-	68,2	57,1	-	64,5	58,0	-	58,9	-	-
144	-	-	-	-	-	51,5	-	56,1	48,4	66,2	53,7	-	63,1	54,8	-	57,8	52,8	-
152	-	-	-	-	-	-	-	54,1	45,3	-	51,0	44,4	61,8	51,7	-	56,5	50,1	-
160	-	-	-	-	-	-	-	-	43,0	-	48,4	41,5	60,6	49,1	-	55,2	47,4	-
168	-	-	-	-	-	-	-	-	41,1	-	46,6	39,1	57,4	47,0	40,7	54,1	44,9	-
176	-	-	-	-	-	-	-	-	-	-	45,6	37,1	44,8	38,3	38,3	52,9	42,8	-
184	-	-	-	-	-	-	-	-	-	-	-	35,6	-	43,5	36,4	48,9	40,8	35,0
192	-	-	-	-	-	-	-	-	-	-	-	-	-	42,4	34,7	-	39,0	32,9
200	-	-	-	-	-	-	-	-	-	-	-	-	-	-	33,1	-	37,6	31,3
208	-	-	-	-	-	-	-	-	-	-	-	-	-	-	32,2	-	36,7	29,9
216	-	-	-	-	-	-	-	-	-	-	-	-	-	-	-	-	36,0	28,5
224	-	-	-	-	-	-	-	-	-	-	-	-	-	-	-	-	-	27,6

ft	196.9 ft			216.5 ft			236.2 ft			255.9 ft			275.6 ft			295.3 ft		
	83°	73°	65°	83°	73°	65°	83°	73°	65°	83°	73°	65°	83°	73°	65°	83°	73°	65°
	1,000 lb																	
88	59,1	-	-	-	-	-	-	-	-	-	-	-	-	-	-	-	-	-
96	58,1	-	-	45,9	-	-	40,8	-	-	-	-	-	-	-	-	-	-	-
104	57,2	-	-	45,7	-	-	40,6	-	-	33,1	-	-	-	-	-	-	-	-
112	56,2	-	-	45,2	-	-	40,1	-	-	33,1	-	-	26,9	-	-	21,8	-	-
120	55,3	-	-	44,8	-	-	39,8	-	-	33,0	-	-	26,9	-	-	21,8	-	-
128	54,3	-	-	44,4	-	-	39,6	-	-	32,8	-	-	26,8	-	-	21,5	-	-
136	53,4	-	-	44,2	-	-	39,1	-	-	32,8	-	-	26,7	-	-	21,4	-	-
144	52,5	-	-	43,7	-	-	38,8	-	-	32,6	-	-	26,7	-	-	21,2	-	-
152	51,5	47,5	-	43,4	-	-	38,5	-	-	32,6	-	-	26,5	-	-	21,1	-	-
160	50,6	45,4	-	43,0	40,3	-	38,1	-	-	32,5	-	-	26,5	-	-	20,9	-	-
168	49,6	43,2	-	42,6	38,8	-	37,8	34,4	-	32,4	-	-	26,4	-	-	20,9	-	-
176	48,8	40,9	-	42,2	37,5	-	37,5	33,4	-	32,4	30,4	-	26,3	-	-	20,7	-	-
184	48,0	39,0	-	41,9	36,1	-	37,1	32,5	-	32,3	29,6	-	26,0	24,7	-	20,5	-	-
192	47,1	37,4	33,1	41,6	34,7	-	36,8	31,6	-	32,2	29,0	-	26,0	24,7	-	20,3	-	-
200	46,5	35,7	31,1	41,2	33,3	-	36,5	30,8	-	32,0	28,3	-	25,9	24,5	-	20,1	19,5	-
208	41,7	34,1	29,3	40,8	31,9	27,7	36,2	29,7	-	32,0	27,6	-	25,8	24,4	-	20,0	19,3	-
216	-	32,7	27,9	40,4	30,5	25,9	35,8	28,5	24,8	32,0	26,9	-	25,8	24,3	-	19,9	19,2	-
224	-	32,1	26,5	35,5	29,0	24,5	35,5	27,3	23,3	31,7	26,1	22,8	25,7	24,1	-	19,7	18,9	-
232	-	-	25,3	-	27,8	23,2	34,7	26,1	21,9	31,7	25,0	21,4	25,6	24,0	-	19,6	18,7	-
240	-	-	24,5	-	27,3	22,0	32,7	24,7	20,5	31,7	24,0	20,1	25,4	23,3	20,0	19,4	18,6	-
248	-	-	-	-	26,8	21,1	-	23,8	19,4	31,4	22,9	18,8	25,3	22,3	18,8	19,2	18,3	-
256	-	-	-	-	-	20,3	-	23,1	18,3	30,8	21,8	17,6	25,1	21,4	17,6	19,2	17,9	14,5
264	-	-	-	-	-	19,7	-	22,7	17,5	24,7	21,0	16,7	25,1	20,4	16,4	19,0	17,3	13,9
272	-	-	-	-	-	-	-	16,8	-	-	20,4	15,7	24,6	19,5	15,4	18,9	16,8	13,2
280	-	-	-	-	-	-	-	16,2	-	-	20,0	14,8	23,1	18,6	14,5	18,8	16,2	12,5
288	-	-	-	-	-	-	-	-	-	-	19,5	14,3	-	18,0	13,7	18,6	15,7	11,9
296	-	-	-	-	-	-	-	-	-	-	-	13,8	-	17,6	13,0	18,3	15,2	11,2
304	-	-	-	-	-	-	-	-	-	-	-	13,3	-	17,3	12,4	15,6	14,9	10,7
312	-	-	-	-	-	-	-	-	-	-	-	-	-	-	11,9	-	14,7	10,2
320	-	-	-	-	-	-	-	-	-	-	-	-	-	-	11,5	-	14,6	9,8
328	-	-	-	-	-	-	-	-	-	-	-	-	-	-	-	-	14,0	9,5
336	-	-	-	-	-	-	-	-	-	-	-	-	-	-	-	-	-	9,2
344	-	-	-	-	-	-	-	-	-	-	-	-	-	-	-	-	-	8,9



# WIHI-SSL 30°/60°

# AC 500-2

176,400 lb	220,500 lb	264,600 lb	308,700 lb	352,800 lb	396,800 lb	31.6 ft x 31.5 ft	360°	85%
------------	------------	------------	------------	------------	------------	-------------------	------	-----

124.3 ft + 13.1 ft	30°	60°
--------------------	-----	-----

ft	98.4 ft			118.1 ft			137.8 ft			157.5 ft			177.2 ft		
	83°	73°	65°	83°	73°	65°	83°	73°	65°	83°	73°	65°	83°	73°	65°
	1,000 lb														
64	-	-	-	-	-	-	-	-	-	-	-	-	-	-	-
72	170,3	-	-	157,5*	-	-	-	-	-	-	-	-	-	-	-
80	146,5*	-	-	144,8*	-	-	140,9*	-	-	129,6*	-	-	-	-	-
88	132,3	-	-	130,7	-	-	129,0*	-	-	124,0*	-	-	-	107,6*	-
96	120,4	-	-	118,7	-	-	117,1*	-	-	117,5*	-	-	-	105,6*	-
104	110,3	97,2	-	108,6	-	-	107,0	-	-	108,6*	-	-	-	103,6*	-
112	-	89,6	-	99,9	87,6	-	98,3	-	-	99,9	-	-	-	98,1*	-
120	-	82,8	-	92,6	80,8	-	90,8	79,0	-	92,3	-	-	-	90,7*	-
128	-	77,1	68,8	83,9	75,0	-	84,3	73,2	-	85,8*	74,5	-	-	84,1	-
136	-	72,0	64,1	-	69,9	-	78,6	67,9	-	80,0	69,2	-	-	78,4	-
144	-	-	59,9	-	65,2	57,7	73,4	63,3	-	74,7	64,6	-	-	73,2	62,8
152	-	-	-	-	61,3	54,0	-	59,2	52,0	70,2	60,6	-	-	68,6	58,8
160	-	-	-	-	-	50,8	-	55,6	48,8	66,1	56,8	-	-	64,5	55,1
168	-	-	-	-	-	47,8	-	52,6	45,8	58,0	53,5	46,8	-	60,8	51,8
176	-	-	-	-	-	-	-	49,6	43,2	-	50,5	44,0	-	57,3	48,8
184	-	-	-	-	-	-	-	-	40,7	-	47,9	41,7	-	50,6	46,1
192	-	-	-	-	-	-	-	-	-	-	45,4	39,4	-	43,6	37,5
200	-	-	-	-	-	-	-	-	-	-	-	37,4	-	41,3	35,5
208	-	-	-	-	-	-	-	-	-	-	-	35,5	-	39,3	33,6
216	-	-	-	-	-	-	-	-	-	-	-	-	-	37,4	31,9
224	-	-	-	-	-	-	-	-	-	-	-	-	-	-	30,2

ft	196.9 ft			216.5 ft			236.2 ft			255.9 ft			275.6 ft			295.3 ft		
	83°	73°	65°	83°	73°	65°	83°	73°	65°	83°	73°	65°	83°	73°	65°	83°	73°	65°
	1,000 lb																	
88	85,0*	-	-	-	-	-	-	-	-	-	-	-	-	-	-	-	-	-
96	83,2*	-	-	69,5*	-	-	-	-	-	-	-	-	-	-	-	-	-	-
104	81,5*	-	-	67,7*	-	-	57,4*	-	-	46,6*	-	-	-	-	-	-	-	-
112	79,7*	-	-	66,0*	-	-	56,9*	-	-	45,8*	-	-	37,0*	-	-	-	-	-
120	78,0*	-	-	64,4*	-	-	56,5*	-	-	45,3*	-	-	36,5*	-	-	29,9*	-	-
128	76,3*	-	-	62,6*	-	-	56,0*	-	-	44,6*	-	-	36,2*	-	-	29,4*	-	-
136	74,5*	-	-	61,0*	-	-	55,6*	-	-	44,0*	-	-	35,6*	-	-	29,0*	-	-
144	72,4*	-	-	59,4*	-	-	54,7*	-	-	43,2*	-	-	35,3*	-	-	28,7*	-	-
152	67,8*	57,9	-	57,8*	-	-	53,4*	-	-	42,4*	-	-	34,8*	-	-	28,1*	-	-
160	63,8*	54,2	-	56,4*	49,6	-	52,3*	-	-	41,3*	-	-	34,1*	-	-	27,7*	-	-
168	60,1*	50,9	-	54,8*	48,1	-	51,1*	39,9	-	40,3*	-	-	33,1*	-	-	27,2*	-	-
176	56,7*	47,8	-	53,7*	45,9	-	49,8*	39,5	-	39,2*	33,1	-	32,1*	-	-	26,4*	-	-
184	53,7*	45,3	-	51,4*	43,3	-	48,6*	39,1	-	38,1*	33,0	-	31,2*	28,5	-	25,5*	-	-
192	50,8*	42,7	36,6	48,8*	40,8	-	47,1*	38,4	-	37,1*	32,8	-	30,2*	28,1	-	24,8*	22,2	-
200	48,3*	40,4	34,6	46,3*	38,6	-	44,5*	36,5	-	36,3*	32,7	-	29,3*	27,7	-	24,1*	21,9	-
208	41,3*	38,2	32,7	44,0*	36,4	30,7	42,0*	34,5	-	35,6*	32,4	-	28,4*	27,3	-	23,3*	21,6	-
216	-	36,3	31,0	41,6*	34,5	29,0	39,8*	32,5	26,8	34,9*	32,0	-	27,8*	26,9	-	22,5*	21,2	-
224	-	34,7	29,4	35,4*	32,6	27,4	37,8*	30,8	25,3	34,2*	30,4	24,8	27,2*	26,5	-	22,0*	20,9	-
232	-	-	27,8	-	30,9	25,8	35,6*	29,1	23,8	33,6*	28,6	23,4	26,5*	26,2	-	21,4*	20,6	-
240	-	-	26,3	-	29,4	24,3	32,9*	27,5	22,3	33,2*	27,0	21,9	26,0*	25,8	21,4	20,9*	20,4	-
248	-	-	-	-	28,0	23,0	-	26,0	21,0	32,1*	25,6	20,6	25,5*	24,9	20,2	20,4*	20,0	16,9
256	-	-	-	-	-	21,8	-	24,7	19,8	30,6*	24,2	19,4	25,1*	23,8	18,9	19,8*	19,6	16,8
264	-	-	-	-	-	20,7	-	23,5	18,6	24,7*	22,9	18,2	24,9*	22,6	17,7	19,4*	19,3	16,3
272	-	-	-	-	-	-	-	17,5	-	21,6*	17,1	14,2	24,2*	21,4	16,6	19,1*	19,0	15,7
280	-	-	-	-	-	-	-	16,6	-	20,6*	16,1	13,3	23,0*	20,2	15,7	18,8*	18,6	14,6
288	-	-	-	-	-	-	-	-	-	19,5*	15,2	-	19,2*	14,7	14,7	18,6*	17,9	13,6
296	-	-	-	-	-	-	-	-	-	-	14,2	-	18,2*	13,8	13,8	18,3*	17,1	12,7
304	-	-	-	-	-	-	-	-	-	-	13,3	-	17,3*	12,9	12,9	16,3*	16,2	12,0
312	-	-	-	-	-	-	-	-	-	-	-	-	-	12,0	-	15,3*	15,3	11,1
320	-	-	-	-	-	-	-	-	-	-	-	-	-	11,4	-	14,5*	14,5	10,3
328	-	-	-	-	-	-	-	-	-	-	-	-	-	-	-	13,7*	13,7	9,6
336	-	-	-	-	-	-	-	-	-	-	-	-	-	-	-	-	-	8,9
344	-	-	-	-	-	-	-	-	-	-	-	-	-	-	-	-	-	8,3



# WIHI

# AC 500-2

132,300 lb 176,400 lb 220,500 lb 264,600 lb 308,700 lb 352,800 lb 396,800 lb 31.6 ft x 31.5 ft 360° 85%

139.4 ft + 13.1 ft

ft	78.7 ft			98.4 ft			118.1 ft			137.8 ft			157.5 ft			177.2 ft		
	83°	73°	65°	83°	73°	65°	83°	73°	65°	83°	73°	65°	83°	73°	65°	83°	73°	65°
64	111,0	-	-	-	-	-	-	-	-	-	-	-	-	-	-	-	-	-
72	103,3	-	-	93,6	-	-	84,7	-	-	-	-	-	-	-	-	-	-	-
80	96,7	-	-	88,8	-	-	80,9	-	-	71,2	-	-	63,9	-	-	-	-	-
88	91,2	-	-	84,2	-	-	77,3	-	-	68,4	-	-	62,2	-	-	55,0	-	-
96	-	-	-	80,1	-	-	74,2	-	-	65,8	-	-	60,5	-	-	53,5	-	-
104	-	67,8	-	76,9	-	-	71,1	-	-	63,5	-	-	58,8	-	-	52,2	-	-
112	-	62,8	-	-	61,5	-	68,4	-	-	61,2	-	-	57,2	-	-	50,9	-	-
120	-	-	-	-	57,1	-	66,2	54,7	-	59,1	-	-	55,8	-	-	49,5	-	-
128	-	-	-	-	53,6	-	64,0	51,2	-	57,3	48,2	-	54,3	-	-	48,3	-	-
136	-	-	46,1	-	50,5	-	-	48,1	-	55,7	45,2	-	52,9	46,2	-	47,0	-	-
144	-	-	-	-	-	-	-	45,5	-	54,1	42,2	-	51,9	43,6	-	45,7	-	-
152	-	-	-	-	-	41,8	-	43,4	37,4	-	39,9	-	50,7	41,1	-	44,9	39,4	-
160	-	-	-	-	-	39,4	-	-	35,1	-	37,9	-	49,6	38,6	-	44,1	37,2	-
168	-	-	-	-	-	-	-	-	33,4	-	36,4	31,5	49,0	36,9	-	43,3	34,9	-
176	-	-	-	-	-	-	-	-	31,8	-	35,0	29,6	-	35,3	30,9	42,4	32,9	-
184	-	-	-	-	-	-	-	-	-	-	-	28,1	-	33,9	29,2	42,1	31,5	27,7
192	-	-	-	-	-	-	-	-	-	-	-	26,7	-	32,7	27,5	-	30,1	26,1
200	-	-	-	-	-	-	-	-	-	-	-	-	-	26,3	-	28,6	24,5	-
208	-	-	-	-	-	-	-	-	-	-	-	-	-	25,3	-	27,8	23,1	-
216	-	-	-	-	-	-	-	-	-	-	-	-	-	24,3	-	27,4	21,9	-
224	-	-	-	-	-	-	-	-	-	-	-	-	-	-	-	-	21,1	-

ft	196.9 ft			216.5 ft			236.2 ft			255.9 ft			275.6 ft			295.3 ft		
	83°	73°	65°	83°	73°	65°	83°	73°	65°	83°	73°	65°	83°	73°	65°	83°	73°	65°
96	47,9	-	-	39,6	-	-	-	-	-	-	-	-	-	-	-	-	-	-
104	46,9	-	-	38,9	-	-	32,7	-	-	28,2	-	-	22,5	-	-	-	-	-
112	46,0	-	-	38,3	-	-	32,4	-	-	28,2	-	-	22,5	-	-	-	-	-
120	45,0	-	-	37,7	-	-	32,1	-	-	27,9	-	-	22,4	-	-	17,4	-	-
128	44,1	-	-	37,0	-	-	31,6	-	-	27,7	-	-	22,3	-	-	17,4	-	-
136	43,2	-	-	36,5	-	-	31,4	-	-	27,4	-	-	22,1	-	-	17,4	-	-
144	42,4	-	-	36,0	-	-	30,9	-	-	27,1	-	-	22,0	-	-	17,2	-	-
152	41,4	-	-	35,5	-	-	30,6	-	-	26,9	-	-	22,0	-	-	17,2	-	-
160	40,5	36,6	-	35,1	-	-	30,1	-	-	26,6	-	-	21,8	-	-	17,2	-	-
168	39,8	34,5	-	34,6	32,2	-	29,7	-	-	26,3	-	-	21,8	-	-	17,1	-	-
176	39,1	32,5	-	34,0	30,5	-	29,4	27,1	-	26,1	-	-	21,6	-	-	17,0	-	-
184	38,4	30,7	-	33,6	28,7	-	29,0	25,7	-	25,9	23,8	-	21,6	-	-	17,0	-	-
192	37,8	29,0	-	33,2	27,0	-	28,6	24,4	-	25,5	22,7	-	21,6	19,3	-	17,0	-	-
200	37,4	27,7	24,2	32,8	25,4	-	28,5	23,2	-	25,2	21,8	-	21,4	18,7	-	17,0	-	-
208	37,3	26,5	22,7	32,6	24,1	20,7	28,3	22,0	-	25,1	20,8	-	21,3	18,2	-	16,8	14,6	-
216	-	25,2	21,3	32,2	23,0	19,5	28,0	20,8	-	24,9	19,7	-	21,2	17,7	-	16,8	14,3	-
224	-	24,5	20,2	31,9	21,9	18,1	27,9	19,8	16,6	24,7	18,7	-	21,2	17,3	-	16,8	14,2	-
232	-	-	19,2	-	20,9	17,0	27,7	18,9	15,5	24,3	17,8	-	21,1	16,8	-	16,7	14,0	-
240	-	-	18,4	-	20,1	16,2	27,4	18,0	14,3	24,1	17,0	13,8	21,0	16,1	-	16,6	13,8	-
248	-	-	17,7	-	19,7	15,3	-	17,1	13,4	23,9	16,1	12,7	20,9	15,5	12,6	16,5	13,4	-
256	-	-	-	-	-	14,3	-	16,3	12,6	23,8	15,2	11,7	20,7	14,8	11,7	16,5	13,0	-
264	-	-	-	-	-	13,9	-	16,0	11,8	23,4	14,4	11,0	20,7	14,0	10,7	16,4	12,5	-
272	-	-	-	-	-	-	-	-	11,0	-	13,8	10,3	20,7	13,2	9,9	16,3	11,9	-
280	-	-	-	-	-	-	-	-	10,5	-	13,5	9,5	20,5	12,5	9,2	16,3	11,2	-
288	-	-	-	-	-	-	-	-	10,2	-	13,3	8,9	-	12,1	8,5	16,2	10,6	-
296	-	-	-	-	-	-	-	-	-	-	-	8,4	-	11,7	7,9	16,1	10,1	-
304	-	-	-	-	-	-	-	-	-	-	-	8,1	-	11,4	7,4	15,9	9,6	-
312	-	-	-	-	-	-	-	-	-	-	-	-	-	-	6,9	-	9,2	-
320	-	-	-	-	-	-	-	-	-	-	-	-	-	-	6,7	-	9,1	-
328	-	-	-	-	-	-	-	-	-	-	-	-	-	-	6,3	-	8,9	-





# WIHI-SSL 30°/60°

# AC 500-2

176,400 lb	220,500 lb	264,600 lb	308,700 lb	352,800 lb	396,800 lb	31.6 ft x 31.5 ft	360°	85%
------------	------------	------------	------------	------------	------------	-------------------	------	-----

139.4 ft +  13.1 ft	30°	60°
---------------------	-----	-----

ft	98.4 ft			118.1 ft			137.8 ft			157.5 ft			177.2 ft		
	83°	73°	65°	83°	73°	65°	83°	73°	65°	83°	73°	65°	83°	73°	65°
	1,000 lb														
72	154.6*	-	-	147.7*	-	-	-	-	-	-	-	-	-	-	-
80	142.6*	-	-	137.3*	-	-	129.3*	-	-	-	-	-	-	-	-
88	131.3*	-	-	127.2*	-	-	121.7*	-	-	115.4*	-	-	97.5*	-	-
96	119.5	-	-	117.7*	-	-	114.1*	-	-	109.7*	-	-	95.2*	-	-
104	109.4	-	-	107.7*	-	-	106.1*	-	-	103.9*	-	-	92.7*	-	-
112	-	87.6	-	99.0	-	-	97.5*	-	-	98.6*	-	-	90.3*	-	-
120	-	81.1	-	91.7	79.1	-	90.1*	-	-	91.4*	-	-	87.6*	-	-
128	-	75.4	-	85.3	73.3	-	83.5	71.4	-	85.0*	-	-	83.2*	-	-
136	-	70.3	61.8	-	68.1	-	77.8	66.3	-	79.2*	67.7	-	77.5*	-	-
144	-	-	57.7	-	63.7	-	72.7	61.7	-	74.1*	63.0	-	72.5*	61.3	-
152	-	-	54.2	-	59.7	52.0	-	57.7	-	69.5	59.0	-	68.0*	57.3	-
160	-	-	-	-	-	48.8	-	54.2	46.7	65.4	55.4	-	63.9*	53.6	-
168	-	-	-	-	-	45.9	-	51.0	43.9	61.0	52.2	-	60.2*	50.3	-
176	-	-	-	-	-	43.4	-	48.1	41.2	-	49.2	42.3	56.7	47.4	-
184	-	-	-	-	-	-	-	-	38.8	-	46.5	39.9	53.6	44.7	37.8
192	-	-	-	-	-	-	-	-	36.6	-	44.1	37.7	-	42.3	35.7
200	-	-	-	-	-	-	-	-	-	-	35.6	35.6	-	40.0	33.7
208	-	-	-	-	-	-	-	-	-	-	-	33.8	-	37.9	31.8
216	-	-	-	-	-	-	-	-	-	-	-	32.1	-	36.1	30.1
224	-	-	-	-	-	-	-	-	-	-	-	-	-	-	28.6

ft	196.9 ft			216.5 ft			236.2 ft			255.9 ft			275.6 ft			295.3 ft		
	83°	73°	65°	83°	73°	65°	83°	73°	65°	83°	73°	65°	83°	73°	65°	83°	73°	65°
	1,000 lb																	
96	79.2*	-	-	64.3*	-	-	-	-	-	-	-	-	-	-	-	-	-	-
104	77.6*	-	-	63.2*	-	-	55.8*	-	-	-	-	-	-	-	-	-	-	-
112	76.0*	-	-	61.9*	-	-	55.3*	-	-	43.6*	-	-	35.5*	-	-	-	-	-
120	74.1*	-	-	60.8*	-	-	54.8*	-	-	43.3*	-	-	35.1*	-	-	28.6*	-	-
128	72.5*	-	-	59.6*	-	-	54.3*	-	-	42.9*	-	-	34.7*	-	-	28.3*	-	-
136	70.7*	-	-	58.4*	-	-	53.9*	-	-	42.4*	-	-	34.5*	-	-	28.1*	-	-
144	69.1*	-	-	57.4*	-	-	53.4*	-	-	42.1*	-	-	34.2*	-	-	27.8*	-	-
152	67.1*	54.5	-	56.3*	-	-	52.3*	-	-	41.6*	-	-	33.9*	-	-	27.5*	-	-
160	63.1*	52.6	-	55.0*	43.0	-	51.2*	-	-	40.8*	-	-	33.3*	-	-	27.0*	-	-
168	59.3*	49.6	-	53.9*	42.4	-	50.2*	35.9	-	39.8*	-	-	32.7*	-	-	26.8*	-	-
176	56.0*	46.5	-	52.8*	41.6	-	49.1*	35.5	-	38.7*	-	-	31.9*	-	-	26.1*	-	-
184	53.0*	43.9	-	50.7*	40.8	-	48.0*	35.2	-	37.8*	30.4	-	30.9*	-	-	25.4*	-	-
192	50.2*	41.4	-	48.4*	39.6	-	46.6*	34.7	-	36.8*	30.2	-	30.0*	23.8	-	24.8*	-	-
200	47.6*	39.3	32.8	45.8*	37.4	-	44.1*	34.3	-	35.9*	30.0	-	29.2*	23.6	-	24.1*	18.2	-
208	43.3*	37.1	31.0	43.4*	35.2	29.0	41.6*	33.2	-	35.2*	29.8	-	28.4*	23.6	-	23.3*	18.0	-
216	-	35.2	29.2	41.1*	33.2	27.2	39.4*	31.4	-	34.6*	29.6	-	27.6*	23.6	-	22.5*	17.9	-
224	-	33.5	27.7	37.4*	31.6	25.7	37.4*	29.7	23.8	34.0*	28.7	-	27.1*	23.5	-	22.0*	17.9	-
232	-	-	26.3	-	30.0	24.3	35.4*	28.0	22.3	33.3*	27.6	21.9	26.5*	23.4	-	21.4*	17.8	-
240	-	-	24.9	-	28.3	23.0	33.6*	26.4	20.8	32.6*	26.1	20.5	25.8*	23.3	18.5	20.9*	17.7	-
248	-	-	23.7	-	26.9	21.6	-	24.9	19.5	31.5*	24.6	19.2	25.2*	23.1	18.1	20.4*	17.6	-
256	-	-	-	-	20.3	-	-	23.6	18.3	30.2*	23.1	17.8	24.7*	22.9	17.4	19.8*	17.4	13.4
264	-	-	-	-	19.2	-	-	22.4	17.2	25.9*	21.9	16.8	24.3*	21.6	16.3	19.3*	17.4	13.4
272	-	-	-	-	-	-	-	-	16.2	-	20.8	15.7	23.9*	20.3	15.3	18.9*	17.4	13.3
280	-	-	-	-	-	-	-	-	15.2	-	19.7	14.8	23.5*	19.2	14.4	18.6*	17.2	13.1
288	-	-	-	-	-	-	-	-	14.4	-	18.6	13.9	-	18.2	13.4	18.3*	16.8	12.4
296	-	-	-	-	-	-	-	-	-	-	12.9	-	-	17.1	12.5	18.0*	16.2	11.6
304	-	-	-	-	-	-	-	-	-	-	12.1	-	-	16.3	11.7	16.6*	15.3	10.7
312	-	-	-	-	-	-	-	-	-	-	-	-	-	-	10.9	-	14.4	9.8
320	-	-	-	-	-	-	-	-	-	-	-	-	-	-	10.1	-	13.6	9.2
328	-	-	-	-	-	-	-	-	-	-	-	-	-	-	9.4	-	12.8	8.5
336	-	-	-	-	-	-	-	-	-	-	-	-	-	-	-	-	-	7.8
344	-	-	-	-	-	-	-	-	-	-	-	-	-	-	-	-	-	7.2



# WIHI

# AC 500-2

132,300 lb 176,400 lb 220,500 lb 264,600 lb 308,700 lb 352,800 lb 396,800 lb 31.6 ft x 31.5 ft 360° 85%

154.9 ft + 13.1 ft

ft	78.7 ft			98.4 ft			118.1 ft			137.8 ft			157.5 ft			177.2 ft		
	83°	73°	65°	83°	73°	65°	83°	73°	65°	83°	73°	65°	83°	73°	65°	83°	73°	65°
	1,000 lb																	
72	84,3	-	-	75,5	-	-	68,8	-	-	-	-	-	-	-	-	-	-	-
80	80,1	-	-	72,1	-	-	66,2	-	-	56,8	-	-	52,0	-	-	-	-	-
88	76,3	-	-	69,1	-	-	63,6	-	-	54,6	-	-	50,7	-	-	45,3	-	-
96	72,9	-	-	66,3	-	-	61,1	-	-	52,6	-	-	49,3	-	-	44,2	-	-
104	-	-	-	63,8	-	-	58,7	-	-	50,9	-	-	48,0	-	-	42,9	-	-
112	-	52,9	-	61,6	49,8	-	56,3	-	-	49,3	-	-	46,7	-	-	41,8	-	-
120	-	49,3	-	-	46,4	-	54,6	-	-	47,7	-	-	45,5	-	-	40,8	-	-
128	-	-	-	-	43,2	-	52,8	41,0	-	46,2	-	-	44,2	-	-	39,7	-	-
136	-	-	-	-	40,8	-	51,4	38,3	-	45,0	36,7	-	43,0	-	-	38,8	-	-
144	-	-	35,6	-	38,5	-	-	36,2	-	43,7	34,3	-	41,9	35,4	-	37,7	-	-
152	-	-	-	-	-	31,9	-	34,4	-	42,7	32,0	-	41,1	33,3	-	36,7	31,5	-
160	-	-	-	-	-	29,8	-	32,7	27,7	-	30,4	-	40,1	31,3	-	36,1	29,6	-
168	-	-	-	-	-	-	-	-	26,2	-	28,8	24,3	39,4	29,5	-	35,3	27,8	-
176	-	-	-	-	-	-	-	-	24,7	-	27,3	22,7	38,9	28,2	-	34,5	26,0	-
184	-	-	-	-	-	-	-	-	-	-	-	21,3	26,8	22,5	-	34,0	24,6	-
192	-	-	-	-	-	-	-	-	-	-	-	20,1	25,7	21,2	-	33,6	23,4	-
200	-	-	-	-	-	-	-	-	-	-	-	19,1	25,0	20,1	-	22,3	18,2	-
208	-	-	-	-	-	-	-	-	-	-	-	-	19,1	19,1	-	21,4	17,1	-
216	-	-	-	-	-	-	-	-	-	-	-	-	18,1	18,1	-	20,6	16,2	-
224	-	-	-	-	-	-	-	-	-	-	-	-	-	-	-	-	15,1	-
232	-	-	-	-	-	-	-	-	-	-	-	-	-	-	-	-	14,4	-
240	-	-	-	-	-	-	-	-	-	-	-	-	-	-	-	-	13,9	-

ft	196.9 ft			216.5 ft			236.2 ft			255.9 ft			275.6 ft			295.3 ft		
	83°	73°	65°	83°	73°	65°	83°	73°	65°	83°	73°	65°	83°	73°	65°	83°	73°	65°
	1,000 lb																	
96	39,0	-	-	31,7	-	-	-	-	-	-	-	-	-	-	-	-	-	-
104	38,2	-	-	31,2	-	-	26,2	-	-	-	-	-	-	-	-	-	-	-
112	37,4	-	-	30,4	-	-	25,8	-	-	21,1	-	-	-	-	-	-	-	-
120	36,6	-	-	29,9	-	-	25,4	-	-	20,9	-	-	18,1	-	-	13,9	-	-
128	35,8	-	-	29,3	-	-	25,0	-	-	20,6	-	-	18,0	-	-	13,9	-	-
136	35,0	-	-	28,8	-	-	24,6	-	-	20,3	-	-	17,7	-	-	13,7	-	-
144	34,2	-	-	28,2	-	-	24,3	-	-	20,1	-	-	17,4	-	-	13,7	-	-
152	33,6	-	-	27,7	-	-	23,8	-	-	19,8	-	-	17,2	-	-	13,7	-	-
160	32,8	28,8	-	27,4	-	-	23,5	-	-	19,5	-	-	17,1	-	-	13,6	-	-
168	32,1	27,2	-	26,9	24,6	-	23,2	-	-	19,3	-	-	16,9	-	-	13,4	-	-
176	31,4	25,6	-	26,3	23,3	-	22,8	-	-	19,2	-	-	16,8	-	-	13,4	-	-
184	30,7	24,0	-	25,9	21,9	-	22,5	19,5	-	18,9	-	-	16,6	-	-	13,4	-	-
192	30,1	22,5	-	25,5	20,4	-	22,2	18,3	-	18,7	16,8	-	16,5	-	-	13,4	-	-
200	29,7	21,4	-	25,1	19,1	-	21,9	17,2	-	18,4	15,8	-	16,3	12,7	-	13,3	-	-
208	29,5	20,3	16,6	24,7	18,0	-	21,7	16,1	-	18,2	14,9	-	16,2	12,3	-	13,2	-	-
216	29,3	19,3	15,5	24,3	17,0	-	21,4	14,9	-	18,1	14,0	-	16,1	11,9	-	13,2	-	-
224	-	18,4	14,6	24,1	16,1	12,4	21,1	14,0	-	18,0	13,0	-	16,0	11,5	-	13,2	-	-
232	-	17,8	13,7	-	15,2	11,4	20,9	13,3	9,9	17,8	12,1	-	15,8	11,1	-	13,2	-	-
240	-	17,5	12,8	-	14,4	10,6	20,6	12,6	8,9	17,7	11,5	-	15,7	10,7	-	13,2	-	-
248	-	-	12,2	-	13,9	9,9	20,3	11,8	8,1	17,5	10,8	-	15,6	10,1	-	13,1	-	-
256	-	-	-	-	-	9,3	-	11,0	7,3	17,4	10,1	-	15,4	9,5	-	13,0	-	-
264	-	-	-	-	-	8,7	-	10,6	6,7	17,4	9,5	-	15,3	8,9	-	13,0	-	-
272	-	-	-	-	-	8,2	-	10,3	6,2	-	8,9	-	15,2	8,3	-	13,0	-	-
280	-	-	-	-	-	7,8	-	10,0	5,7	-	8,5	-	15,2	7,7	-	13,0	-	-
288	-	-	-	-	-	-	-	-	5,2	-	8,2	-	14,8	7,2	-	12,9	-	-
296	-	-	-	-	-	-	-	-	-	-	-	-	-	6,8	-	12,8	-	-
304	-	-	-	-	-	-	-	-	-	-	-	-	-	6,5	-	12,8	-	-
312	-	-	-	-	-	-	-	-	-	-	-	-	-	6,3	-	-	-	-
320	-	-	-	-	-	-	-	-	-	-	-	-	-	6,2	-	-	-	-



# WIHI-SSL 30°/60°

# AC 500-2

		176,400 lb	220,500 lb	264,600 lb	308,700 lb	352,800 lb	396,800 lb	31.6 ft x 31.5 ft			360°	85%	
		154.9 ft + 13.1 ft		30°		60°							
		98.4 ft		118.1 ft		137.8 ft		157.5 ft		177.2 ft			
		83°	73°	65°	83°	73°	65°	83°	73°	65°	83°	73°	65°
ft		1,000 lb											
72		126,7	-	-	-	-	-	-	-	-	-	-	-
80		121,2	-	-	112,3*	-	-	109,0*	-	-	-	-	-
88		116,3	-	-	103,1*	-	-	100,9*	-	-	99,0*	-	-
96		111,3	-	-	98,8	-	-	92,8*	-	-	92,6*	-	85,1*
104		105,5	-	-	95,0	-	-	86,0*	-	-	86,1*	-	80,9*
112		99,1	85,8	-	91,5	-	-	81,2	-	-	80,2*	-	76,7*
120		-	79,3	-	88,0	76,8	-	78,4	-	-	76,1*	-	72,5*
128		-	73,6	-	84,0	71,6	-	76,0	69,6	-	71,8*	-	68,8*
136		-	68,7	-	71,0	66,6	-	73,9	64,7	-	68,1	-	65,2*
144		-	64,3	55,7	-	62,1	-	71,7	60,2	-	66,4	61,4	61,7*
152		-	-	52,3	-	58,2	-	65,9	56,4	-	64,8	57,7	58,2*
160		-	-	49,1	-	54,8	46,9	-	52,8	-	63,2	54,1	56,3*
168		-	-	-	-	-	44,1	-	49,6	41,9	57,5	51,0	54,5
176		-	-	-	-	-	41,4	-	46,7	39,4	47,5	48,1	53,3
184		-	-	-	-	-	-	-	-	37,0	45,4	38,2	52,0
192		-	-	-	-	-	-	-	-	34,9	43,0	36,0	47,6
200		-	-	-	-	-	-	-	-	33,0	40,8	34,1	41,0
208		-	-	-	-	-	-	-	-	-	-	32,3	38,8
216		-	-	-	-	-	-	-	-	-	-	30,5	36,8
224		-	-	-	-	-	-	-	-	-	-	-	35,0
232		-	-	-	-	-	-	-	-	-	-	-	28,6
240		-	-	-	-	-	-	-	-	-	-	-	27,0
		-	-	-	-	-	-	-	-	-	-	-	25,6
		-	-	-	-	-	-	-	-	-	-	-	24,3

		196.9 ft		216.5 ft		236.2 ft		255.9 ft		275.6 ft		295.3 ft	
		1,000 lb											
96		69,9*	-	-	-	-	-	-	-	-	-	-	-
104		67,7*	-	-	59,3*	-	-	-	-	-	-	-	-
112		65,6*	-	-	57,7*	-	-	47,6*	-	-	-	-	-
120		63,4*	-	-	56,1*	-	-	47,0*	-	-	39,8*	-	-
128		61,3*	-	-	54,4*	-	-	46,3*	-	-	39,6*	-	25,2*
136		59,3*	-	-	52,8*	-	-	45,6*	-	-	39,3*	-	25,0*
144		57,2*	-	-	51,2*	-	-	45,0*	-	-	39,0*	-	24,7*
152		55,1*	-	-	49,8*	-	-	43,9*	-	-	38,8*	-	24,7*
160		53,1*	44,6	-	48,3*	-	-	42,9*	-	-	38,3*	-	24,4*
168		51,2*	43,6	-	46,9*	37,2	-	41,8*	-	-	37,6*	-	24,1*
176		49,6*	42,7	-	45,4*	36,7	-	40,7*	31,2	-	36,9*	-	23,8*
184		48,0*	41,6	-	44,0*	36,1	-	39,5*	30,7	-	36,1*	24,9	23,5*
192		46,4*	40,3	-	42,7*	35,6	-	38,4*	30,3	-	35,3*	24,6	23,0*
200		45,0*	38,0	-	41,4*	35,1	-	37,3*	29,8	-	34,6*	24,4	22,6*
208		40,4*	36,0	29,4	40,0*	33,9	-	36,1*	29,3	-	33,9*	24,2	22,2*
216		33,1*	34,1	27,7	38,7*	32,1	25,7	34,9*	28,9	-	32,9*	24,0	22,2*
224		-	32,4	26,2	37,2*	30,5	24,2	33,8*	28,2	-	32,0*	23,8	21,6*
232		-	30,9	24,7	-	28,9	22,8	32,9*	26,9	20,8	31,0*	23,5	21,2*
240		-	29,4	23,4	-	27,4	21,4	32,4*	25,4	19,4	29,9*	23,2	20,4*
248		-	-	22,1	-	26,0	20,2	27,7*	24,0	18,2	29,2*	22,8	20,4*
256		-	-	-	-	18,9	-	-	22,7	17,0	28,6*	22,3	19,9*
264		-	-	-	-	17,9	-	-	21,5	15,9	26,5*	21,0	19,4*
272		-	-	-	-	16,8	-	-	20,3	14,9	-	19,8	18,6*
280		-	-	-	-	15,9	-	-	19,2	13,9	-	18,6	18,2*
288		-	-	-	-	-	-	-	13,1	-	-	17,6	18,2*
296		-	-	-	-	-	-	-	-	-	-	12,5	17,9*
304		-	-	-	-	-	-	-	-	-	11,6	-	17,6*
312		-	-	-	-	-	-	-	-	-	10,8	-	17,6*
320		-	-	-	-	-	-	-	-	-	10,1	-	17,6*
328		-	-	-	-	-	-	-	-	-	9,4	-	17,6*
336		-	-	-	-	-	-	-	-	-	-	-	17,6*
344		-	-	-	-	-	-	-	-	-	-	-	17,6*
352		-	-	-	-	-	-	-	-	-	-	-	17,6*
360		-	-	-	-	-	-	-	-	-	-	-	17,6*

# WIHI

# AC 500-2

132,300 lb 176,400 lb 220,500 lb 264,600 lb 308,700 lb 352,800 lb 396,800 lb 31.6 ft x 31.5 ft 360° 85%

169.9 ft + 13.1 ft

ft	78.7 ft			98.4 ft			118.1 ft			137.8 ft			157.5 ft			177.2 ft		
	83°	73°	65°	83°	73°	65°	83°	73°	65°	83°	73°	65°	83°	73°	65°	83°	73°	65°
	1,000 lb																	
72	67,8	-	-	-	-	-	-	-	-	-	-	-	-	-	-	-	-	-
80	64,5	-	-	57,2	-	-	51,7	-	-	44,8	-	-	-	-	-	-	-	-
88	61,6	-	-	55,1	-	-	49,9	-	-	43,3	-	-	40,6	-	-	-	-	-
96	59,4	-	-	53,1	-	-	48,1	-	-	41,9	-	-	39,3	-	-	34,7	-	-
104	-	-	-	51,5	-	-	46,5	-	-	40,5	-	-	38,1	-	-	33,6	-	-
112	-	-	-	50,2	-	-	44,9	-	-	39,2	-	-	37,0	-	-	32,8	-	-
120	-	40,4	-	-	38,7	-	43,5	-	-	38,0	-	-	35,9	-	-	31,9	-	-
128	-	37,8	-	-	36,1	-	42,1	33,5	-	36,8	-	-	34,8	-	-	31,0	-	-
136	-	-	-	-	33,8	-	40,8	31,5	-	35,9	-	-	33,9	-	-	30,3	-	-
144	-	-	-	-	31,8	-	-	29,4	-	34,9	27,6	-	33,1	-	-	29,6	-	-
152	-	-	-	-	-	-	-	27,8	-	34,1	25,8	-	32,3	26,7	-	28,7	-	-
160	-	-	-	-	-	24,0	-	26,3	-	-	24,0	-	31,5	25,1	-	28,0	23,2	-
168	-	-	-	-	-	22,5	-	25,2	20,3	-	22,7	-	31,0	23,6	-	27,5	21,8	-
176	-	-	-	-	-	-	-	-	18,9	-	21,4	-	30,7	22,2	-	27,0	20,3	-
184	-	-	-	-	-	-	-	-	17,8	-	-	15,9	-	21,1	-	26,4	19,0	-
192	-	-	-	-	-	-	-	-	-	-	14,8	-	20,1	15,9	-	26,0	17,9	-
200	-	-	-	-	-	-	-	-	-	-	13,8	-	19,3	14,8	-	-	17,0	-
208	-	-	-	-	-	-	-	-	-	-	13,0	-	-	18,7	13,9	-	16,1	12,0
216	-	-	-	-	-	-	-	-	-	-	-	-	-	-	13,1	-	15,3	11,1
224	-	-	-	-	-	-	-	-	-	-	-	-	-	-	12,5	-	14,8	10,4
232	-	-	-	-	-	-	-	-	-	-	-	-	-	-	-	-	-	9,7
240	-	-	-	-	-	-	-	-	-	-	-	-	-	-	-	-	-	9,1

ft	196.9 ft			216.5 ft			236.2 ft			255.9 ft			275.6 ft			295.3 ft		
	83°	73°	65°	83°	73°	65°	83°	73°	65°	83°	73°	65°	83°	73°	65°	83°	73°	65°
	1,000 lb																	
96	30,1	-	-	-	-	-	-	-	-	-	-	-	-	-	-	-	-	-
104	29,4	-	-	23,6	-	-	-	-	-	-	-	-	-	-	-	-	-	-
112	28,9	-	-	23,1	-	-	18,7	-	-	14,8	-	-	-	-	-	-	-	-
120	28,2	-	-	22,6	-	-	18,2	-	-	14,5	-	-	11,2	-	-	-	-	-
128	27,6	-	-	22,2	-	-	18,0	-	-	14,2	-	-	11,0	-	-	7,9	-	-
136	27,0	-	-	21,7	-	-	17,5	-	-	13,9	-	-	10,9	-	-	7,8	-	-
144	26,3	-	-	21,2	-	-	17,2	-	-	13,7	-	-	10,8	-	-	7,7	-	-
152	25,7	-	-	20,9	-	-	16,9	-	-	13,4	-	-	10,5	-	-	7,7	-	-
160	25,2	-	-	20,4	-	-	16,5	-	-	13,2	-	-	10,4	-	-	7,7	-	-
168	24,6	20,4	-	20,0	-	-	16,1	-	-	13,1	-	-	10,2	-	-	7,6	-	-
176	24,1	19,3	-	19,5	16,2	-	15,7	-	-	12,8	-	-	10,0	-	-	7,5	-	-
184	23,7	18,1	-	19,3	15,3	-	15,4	12,5	-	12,6	-	-	9,9	-	-	7,5	-	-
192	23,3	17,0	-	19,1	14,4	-	15,2	12,0	-	12,3	-	-	9,7	-	-	7,5	-	-
200	22,9	16,1	-	18,9	13,6	-	14,9	11,1	-	12,2	-	-	9,5	-	-	7,3	-	-
208	22,7	15,2	-	18,6	12,7	-	14,7	10,5	-	12,0	-	-	9,4	-	-	7,3	-	-
216	22,5	14,4	10,6	18,3	11,9	-	14,6	9,8	-	11,9	-	-	9,3	-	-	7,3	-	-
224	-	13,6	9,8	18,3	11,3	-	14,3	9,1	-	11,8	-	-	9,3	-	-	7,3	-	-
232	-	12,9	9,1	-	10,6	-	14,1	8,4	-	11,7	-	-	9,2	-	-	7,2	-	-
240	-	12,5	8,4	-	9,9	-	13,9	7,9	-	11,7	-	-	9,1	-	-	7,1	-	-
248	-	-	7,7	-	9,3	-	13,8	7,4	-	11,6	-	-	9,0	-	-	7,1	-	-
256	-	-	7,1	-	8,8	-	-	6,8	-	11,5	-	-	8,8	-	-	7,1	-	-
264	-	-	6,8	-	8,5	-	-	6,3	-	11,3	-	-	8,8	-	-	6,9	-	-
272	-	-	-	-	-	-	-	5,9	-	-	-	-	8,8	-	-	6,8	-	-
280	-	-	-	-	-	-	-	5,6	-	-	-	-	8,6	-	-	6,8	-	-
288	-	-	-	-	-	-	-	-	-	-	-	-	8,6	-	-	6,7	-	-
296	-	-	-	-	-	-	-	-	-	-	-	-	-	-	-	6,6	-	-
304	-	-	-	-	-	-	-	-	-	-	-	-	-	-	-	6,6	-	-



# WIHI-SSL 30°/60°

# AC 500-2

176,400 lb 220,500 lb 264,600 lb 308,700 lb 352,800 lb 396,800 lb 31.6 ft x 31.5 ft 360° 85%



ft	98.4 ft			118.1 ft			137.8 ft			157.5 ft			177.2 ft		
	83°	73°	65°	83°	73°	65°	83°	73°	65°	83°	73°	65°	83°	73°	65°
	1,000 lb														
72	-	-	-	92,5	-	-	-	-	-	-	-	-	-	-	-
80	101,9	-	-	91,5*	-	-	-	-	-	-	-	-	-	-	-
88	97,9	-	-	85,2	-	-	81,4*	-	-	-	-	-	-	-	-
96	94,2	-	-	82,0	-	-	74,9*	-	-	74,7*	-	-	68,6*	-	-
104	91,2	-	-	79,1	-	-	69,3	-	-	69,4*	-	-	64,8*	-	-
112	88,7	-	-	76,4	-	-	67,1	-	-	64,2*	-	-	61,3*	-	-
120	-	72,0	-	74,5	-	-	64,9	-	-	60,7*	-	-	57,6*	-	-
128	-	66,9	-	72,6	64,6	-	62,9	-	-	57,6	-	-	54,4*	-	-
136	-	62,9	-	71,1	60,6	-	61,5	56,2	-	55,9	-	-	51,6*	-	-
144	-	59,5	-	-	56,8	-	60,0	53,7	-	54,7	-	-	48,8*	-	-
152	-	-	47,6	-	54,1	-	58,9	51,3	-	53,6	48,5	-	46,6	42,4	-
160	-	-	44,7	-	51,8	-	-	49,1	-	52,6	47,1	-	45,6	41,3	-
168	-	-	42,2	-	49,3	40,1	-	47,0	-	51,6	45,6	-	44,8	40,2	-
176	-	-	-	-	-	38,0	-	44,8	36,7	50,8	44,1	-	44,0	39,0	-
184	-	-	-	-	-	36,3	-	42,5	34,7	-	42,5	-	43,3	38,0	-
192	-	-	-	-	-	-	-	-	32,7	-	40,9	34,0	42,7	37,0	-
200	-	-	-	-	-	-	-	-	31,1	-	39,1	32,1	-	36,1	30,8
208	-	-	-	-	-	-	-	-	29,8	-	37,3	30,5	-	35,1	29,1
216	-	-	-	-	-	-	-	-	-	-	29,2	29,2	-	34,0	27,4
224	-	-	-	-	-	-	-	-	-	-	27,8	27,8	-	32,4	26,0
232	-	-	-	-	-	-	-	-	-	-	-	-	-	-	24,5
240	-	-	-	-	-	-	-	-	-	-	-	-	-	-	23,2

ft	196.9 ft			216.5 ft			236.2 ft			255.9 ft			275.6 ft			295.3 ft		
	83°	73°	65°	83°	73°	65°	83°	73°	65°	83°	73°	65°	83°	73°	65°	83°	73°	65°
	1,000 lb																	
104	59,1*	-	-	-	-	-	-	-	-	-	-	-	-	-	-	-	-	-
112	56,7*	-	-	49,3*	-	-	42,5*	-	-	-	-	-	-	-	-	-	-	-
120	54,4*	-	-	47,4*	-	-	41,4*	-	-	35,0*	-	-	-	-	-	-	-	-
128	52,1*	-	-	45,5*	-	-	40,3*	-	-	34,4*	-	-	28,2*	-	-	22,7*	-	-
136	49,7*	-	-	43,6*	-	-	39,1*	-	-	33,9*	-	-	27,9*	-	-	22,3*	-	-
144	47,3*	-	-	42,0*	-	-	38,0*	-	-	33,1*	-	-	27,6*	-	-	22,1*	-	-
152	44,9*	-	-	40,1*	-	-	36,9*	-	-	32,6*	-	-	27,3*	-	-	21,8*	-	-
160	42,5*	-	-	38,3*	-	-	35,4*	-	-	31,9*	-	-	27,0*	-	-	21,5*	-	-
168	40,6*	35,5	-	36,6*	-	-	33,9*	-	-	30,9*	-	-	26,6*	-	-	21,2*	-	-
176	39,0*	34,5	-	34,9*	29,4	-	32,4*	-	-	29,7*	-	-	26,1*	-	-	20,8*	-	-
184	37,7*	33,6	-	33,6*	28,6	-	30,9*	24,5	-	28,6*	-	-	25,6*	-	-	20,5*	-	-
192	36,7*	32,7	-	32,3*	27,9	-	29,5*	23,9	-	27,5*	19,3	-	25,0*	-	-	20,2*	-	-
200	36,2*	32,0	-	31,1*	27,2	-	28,2*	23,2	-	26,5*	19,1	-	24,3*	15,1	-	19,6*	-	-
208	35,8*	31,4	-	30,1*	26,5	-	27,2*	22,5	-	25,5*	18,8	-	23,6*	14,9	-	19,2*	10,4	-
216	35,3*	30,9	26,6	29,6*	25,8	-	26,3*	21,9	-	24,5*	18,5	-	23,0*	14,8	-	18,8*	10,4	-
224	-	30,2	25,1	29,3*	25,3	23,0	25,2*	21,3	-	23,6*	18,1	-	22,2*	14,6	-	18,4*	10,4	-
232	-	29,4	23,6	-	25,0	21,7	24,3*	20,8	-	22,7*	17,8	-	21,4*	14,5	-	18,0*	10,4	-
240	-	28,4	22,3	-	24,4	20,3	23,9*	20,4	17,7	21,9*	17,5	-	20,7*	14,4	-	17,6*	10,4	-
248	-	-	21,1	-	24,0	19,1	23,7*	20,0	16,8	21,2*	17,1	13,4	20,0*	14,2	-	17,2*	10,4	-
256	-	-	20,0	-	23,6	18,1	-	19,6	15,9	20,5*	16,8	13,0	19,2*	14,1	9,7	16,8*	10,4	-
264	-	-	19,0	-	22,6	17,0	-	19,3	14,8	20,2*	16,5	12,7	18,5*	13,8	9,7	16,3*	10,4	-
272	-	-	-	-	-	16,0	-	19,0	13,8	-	16,2	12,5	18,0*	13,6	9,7	15,9*	10,4	6,0
280	-	-	-	-	-	15,0	-	18,4	12,8	-	15,8	12,2	17,7*	13,5	9,5	15,5*	10,4	6,0
288	-	-	-	-	-	-	-	12,0	-	-	15,6	11,5	17,4*	13,3	9,4	15,2*	10,4	6,0
296	-	-	-	-	-	-	-	11,2	-	-	15,4	10,7	-	13,2	9,2	15,0*	10,4	6,0
304	-	-	-	-	-	-	-	-	10,5	-	15,0	9,9	-	13,1	9,1	14,8*	10,4	6,0
312	-	-	-	-	-	-	-	-	-	-	-	9,2	-	13,0	8,7	-	10,4	6,0
320	-	-	-	-	-	-	-	-	-	-	-	8,5	-	13,0	8,1	-	10,4	6,0
328	-	-	-	-	-	-	-	-	-	-	-	-	-	-	7,4	-	10,4	6,0
336	-	-	-	-	-	-	-	-	-	-	-	-	-	-	6,7	-	10,3	5,8
344	-	-	-	-	-	-	-	-	-	-	-	-	-	-	6,2	-	9,9	5,2
352	-	-	-	-	-	-	-	-	-	-	-	-	-	-	-	-	-	4,7



# TECHNICAL DESCRIPTION

## AC 500-2

### Basic equipment

#### Carrier

Engine 480-3a	MTU; Output 480 kW (653 HP), torque 2800 Nm, certifications in accordance with EURO MOT 3a, TIER 3, CARB; Exhaust system cpl. stainless steel, incl. spark arrester.
Fuel tank 590	156 gallons; Fuel: Diesel.
Transmission TC	ZF TC-Tronic; Automated gearbox with integrated torque converter and hydraulic retarder, 12 forward speeds and 2 reverse; Selectable longitudinal lock included in transfer case.
Axles 16 x 8 x 14	16 x 8 x 14; 8 axles, axles 1, 2, 4, 5 driven and equipped with selectable transverse lock, axles 1-4 and 6-8 steered, axle 5 liftable.
Suspension	Hydropneumatic suspension with axle load compensation; Hydraulically lockable; Manual or automatic levelling alternatively.
Steering	Dual circuit hydro semiblock steering with emergency steering pump.
Brakes	Pneumatic dual circuit service brake, acting on all wheels; Disc brakes; Hydraulic retarder integrated into transmission as sustained-action brake; Additional exhaust brake and constant choke valve; Spring-loaded parking brake.
Wheels 38595 170F	385/95R25 (14.00R25); Steel rims 9,5-25/1,7 ET70; 170F.
Cab Carrier 2880	Type 9.5 ft; Adjustable driver seat with seat heating, armrests and pneumatic suspension; Steering wheel height and tilt adjustable; Co-driver's seat; Power door windows; Tinted glass; Radio-preparation.
Heating engine-dependant 12	Engine-dependant warm water heating with 12 kW heating power.
Aircondition carrier 7	Aircondition for carrier cab with 7 kW cooling power.
Drive lights	With low beam, upper beam.
Cruise control	Automatic speed control including automatic brake control.
Rear view camera	Optical display in carrier cab.
Additional xenon tail light	Additional, switchable xenon backdrive floodlight.
Central lubrication carrier 8	Central auto lube for all lubrication points at carrier.
Electronic immobiliser system	Prevents uncontrolled carrier mobilisation; Incl. 2 electronic keys and 4 ignition keys.
Miscellaneous	Ascendencies; Loose stepladder; Pneumatic tire filling plug.

#### Crane

Telescopic boom HA56	48.2 ft – 183.7 ft; Single cylinder telescoping system, automatic telescoping; Attachments for all equipment and extensions; 8 sheaves integrated in boom head for max. capacity of 414,300 lb.
Boom luffing	2 luffing cylinders with automatic lowering brake valve.
Rotary drive	1 slewing gear unit with spring-loaded multi-disc brake; Different operating modes selectable.
H1	Hoist with spring-loaded multi-disc brake; twist prevention for rope; Resolver (hoist rotation indicator).
Counterweight system 20-H3	44,100 lb (base frame); Self rigging with semiautomatic rigging system, rigging storage on carrier front; Expandable to max. 386,800 lb; Variant for optional H3 operation; Incl. tightening device.
Outriggers	X-4-Point design; 4 outriggers telescopic; Vertical and horizontal movement fully hydraulic; Manual or automatic levelling alternatively; 2 outrigger bases.
Outrigger pads	4 outrigger pads with transport position at outrigger beam.
Outrigger quick connection X	Hydraulic bolt extractors and hydraulic and electric quick couplings for fast (dis-) assembly.
Outrigger load indicator	Displayed in LMI crane cab.
Engine 205-3a	MTU; Output 205 kW (279 HP), torque 1100 Nm, certifications in accordance with EURO MOT 3a, TIER 3, CARB; Exhaust system cpl. stainless steel, incl. spark arrester.
Fuel tank 300	79 gallons; Fuel: Diesel or alternatives (no RME / Biodiesel).
Drive	Hydraulic system with power control; Hydraulic oil cooler.
Control system	Enabling 4 simultaneous working movements; Electric pilot controls via 2 two-axis joysticks; Different control modes selectable for hydraulic circuits.
Operator aids	IC-1, with integrated load moment indicator acc. EN13000; Colour display; Displaying of current operating conditions, load charts, fault indicator; Signal lights indicating LMI-load; Crane data logger.
Working range limiter	Displaying and programmability of the work range limits by IC-1.
Hook height indication	Displaying and programmability of the hook height by IC-1.
Cab crane 1100	Type 3.60 ft; Tilt infinitely variable 20°; Seat heating; Sliding window in door and rear; Fold-out front window; Extendable side pedestal, foldable front pedestal; Handrails; Tinted safety glass; Pull-down sun visor and light curtains; Radio-preparation.
Heating engine independant 5	Engine independant Diesel heating system with 5 kW heating power; With timer and remote start.
Aircondition crane 7	Aircondition in crane cab with 7 kW cooling power.
Xenon work floodlight 1	Out of crane cab adjustable xenon floodlight, at front support boom base section.
Central lubrication crane 2	Central auto lube for all lubrication points at crane.
Hoist monitoring 1	Visualisation H1 by a camera system with separate display in crane cab.
Miscellaneous	Safety balustrade and handrails for crane access.



# TECHNICAL DESCRIPTION

## AC 500-2

### Diverse

Emergency override HY2M	Hydraulic interface for emergency operation to recover loads in case of engine failure.
Illumination	4 adjustable for work prefield at crane cab, 6 for outriggers.
Rotary beacons 4	2 x disconnectable on carrier cab, 2 x disconnectable on crane tail.
Positioning light	Double beacon, disconnectable, to allow use with all extensions.
Anemometer	Disconnectable, to allow use with all extensions.
Jump starting device NATO 2	Jump starting device for carrier and crane according to NATO-standard, incl. jumper cable; Enabling jump start by using 2nd engine or separate energy source.
Toolkit	Toolkit for light repairs and service.
Contour safety marking	Continuous, yellow reflecting bands at carrier sides and tail.

### Options (free configurable)

#### Carrier

2nd eddy-current brake	Kloft; Notice: there is already a retarder brake integrated in the gear box (Intarder).
Wheels 44580 Michelin XGC 170E	445/80R25 (17.50R25); Steel rims 14-25/1,7ET100; Michelin XGC 170E; Incl. carrier broadening to 10.2 ft.

#### Crane

Quick connection HA 4	Hydraulic bolt extractors and hydraulic and electric quick couplings for fast telescopic boom (dis-) assembly by assist crane; Incl. transport storage for luffing cylinders.
Quick connection carrier crane S1F	Disconnectable bearing with hydraulic central locking; Incl. active luffing cylinder steering; Machine height 13.8 ft. Heavy lift attachment stage 1; 2 additional sheaves = 10 sheaves integrated in boom head enable max. capacity of 507,700 lb.
S2F	Heavy lift attachment stage 2; S1F + 1 additional sheave = 11 sheaves in boom head enable max. capacity of 553,100 lb.
Central outriggers	Additional outrigger support, requested for enhanced capacities according to chart.
SSL	Sideways Superlift; Capacity increasing boom guy support.
H3	3. hoist; Bolt-mounted to counterweight baseframe; Twist prevention for rope; Enables 2-hook operation with all extensions; Not to be used for WI luffing; Only together with H2-WI; Resolver (hoist rotation indicator).
HR	Hydraulic winch for reeving assistance; Only together with H2-WI.
Counterweights AC-GG10 160	160 t = 16 AC-GG à 10 t (AC 350, AC 500-1, AC 500-2, AC 650, AC 700); grey.
Fall-from-height protection system boom base section	Rail system as fall-from-height protection at the main boom base section.
Fall-from-height protection system boom base section + SSL	Rail system as fall-from-height protection at the main boom base section and SSL.
Outrigger basis monitoring	Surveillance of each outrigger beam for visual comparison with the programmed outrigger basis; Displayed in LMI crane cab (Attention! There is no automatic linkage with the LMI-system!).

#### Extensions

WIHI90A	Maximum length 295.3 ft (total length of components: 305.1 ft); Luffing jib, complete building set; Increments 19.7 ft; With integrated manual offset section 20°/40°; 5-sheave und 3-sheave head; Includes LF62A, HAV30A.
Fall-from-height protection WIHI90A	Rail system as fall-from-height protection for the lattice parts WIHI90A.
WIHI-2H	Additional parts for fully-fledged 2-hook operation with WIHI; Options WIHI90A and H3 required.
MSF1	3.3 ft; 2-sheave fixed jib to mount on 3-sheave head; Enables to operate a 2. hook with max. 2 lines as „fast hook/runner“; H2 or H3 requested.
Swing-away rooster sheave	1-sheave; Incl. transport storage at boom head HA56; Enables to operate a 2. hook with only 1 line as „fast hook/runner“ at main boom head HA56; H2 or H3 requested.

#### Diverse

Refinery package 2M	Engine emergency stop device, with air shut-off damper, for carrier and crane.
Hook block 320-11-24-D	320-11-24-D (7,100 lb); Hook block with ramshorn hook; white with red signal stripes.
Hook block 250-9-24-D	250-9-24-D (5,700 lb); Hook block with ramshorn hook; white with red signal stripes.
Hook block 200-7-24-D	200-7-24-D (5,100 lb); Hook block with ramshorn hook; white with red signal stripes.
Hook block 160-5-24-D	160-5-24-D (4,900 lb); Hook block with ramshorn hook; white with red signal stripes.
Hook block 100-3-24-D	100-3-24-D (4,000 lb); Hook block with ramshorn hook; white with red signal stripes.
Hook block 40-1-24-D	40-1-24-D (1,650 lb); Hook block with ramshorn hook; white with red signal stripes.
Hook block 40-1-24-E	40-1-24-E (1,650 lb); Hook block with single hook; white with red signal stripes.
Hook block 12,5-0-24-E	12,5-0-24-E (1,100 lb); single hook with vertical swivel; red.

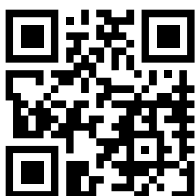


Effective Date: June 2012.

Product specifications and prices are subject to change without notice or obligation. The photographs and/or drawings in this document are for illustrative purposes only. Refer to the appropriate Operator's Manual for instructions on the proper use of this equipment. Failure to follow the appropriate Operator's Manual when using our equipment or to otherwise act irresponsibly may result in serious injury or death. The only warranty applicable to our equipment is the standard written warranty applicable to the particular product and sale and Terex makes no other warranty, express or implied. Products and services listed may be trademarks, service marks or trade-names of Terex Corporation and/or its subsidiaries in the USA and other countries. All rights are reserved. Terex® is a registered trademark of Terex Corporation in the USA and many other countries.

Copyright 2012 Terex Corporation

Terex Cranes, Global Marketing, Dinglerstraße 24, 66482 Zweibrücken, Germany  
Tel. +49 (0) 6332 830, Email: info.cranes@terex.com, www.terexcranes.com



[www.terexcranes.com](http://www.terexcranes.com)

**Bigge Crane and Rigging Co.**

10700 Bigge Avenue  
San Leandro, CA 94577  
Phone: (888) 337-BIGGE or (510) 638-8100  
Fax: (510) 639-4053  
Email: info@bigge.com  
Web site: www.bigge.com

Brochure Reference: TC-DS-I-E-AC 500-2-06/12



**TEREX®**

**WORKS FOR YOU.™**

